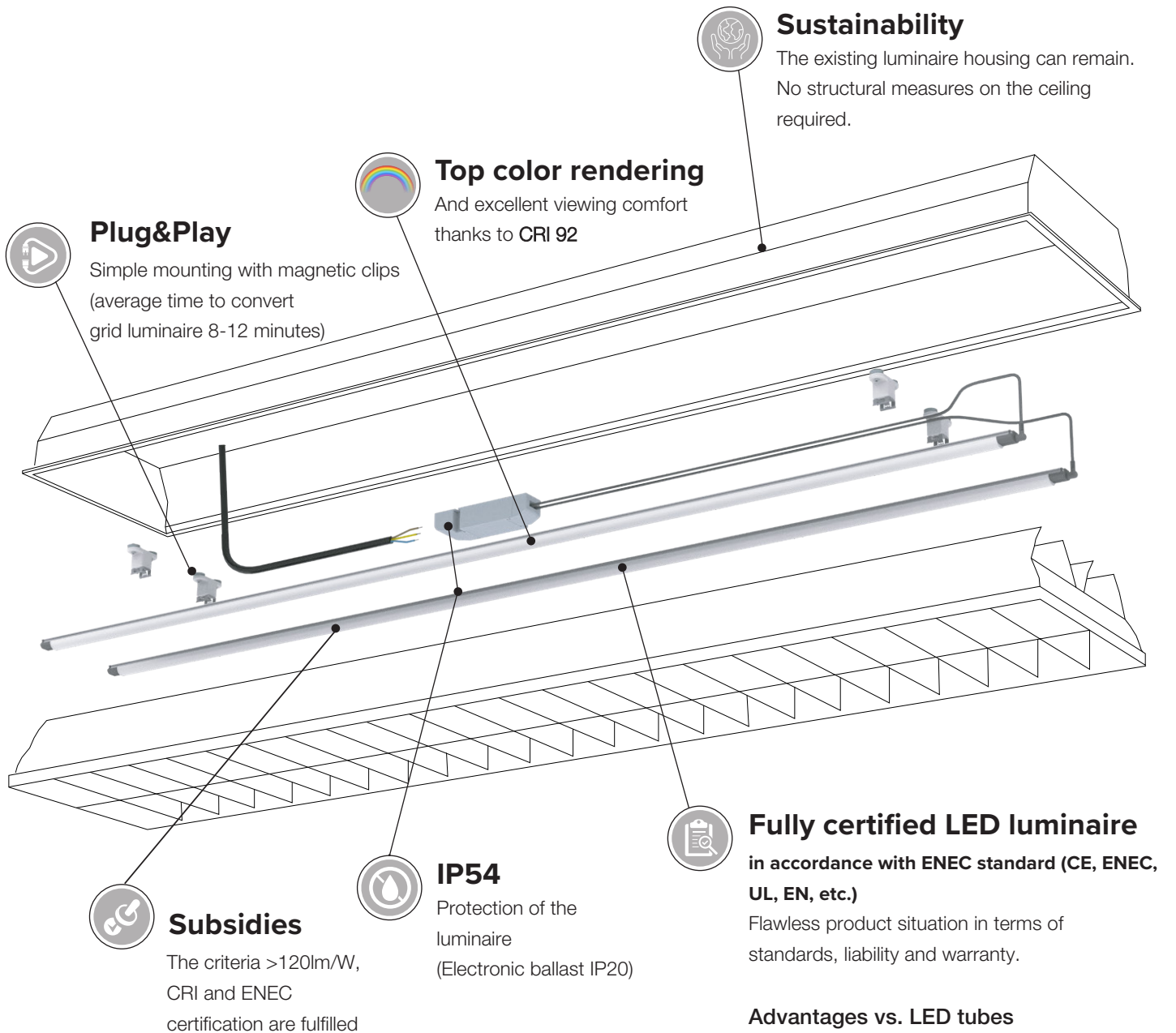


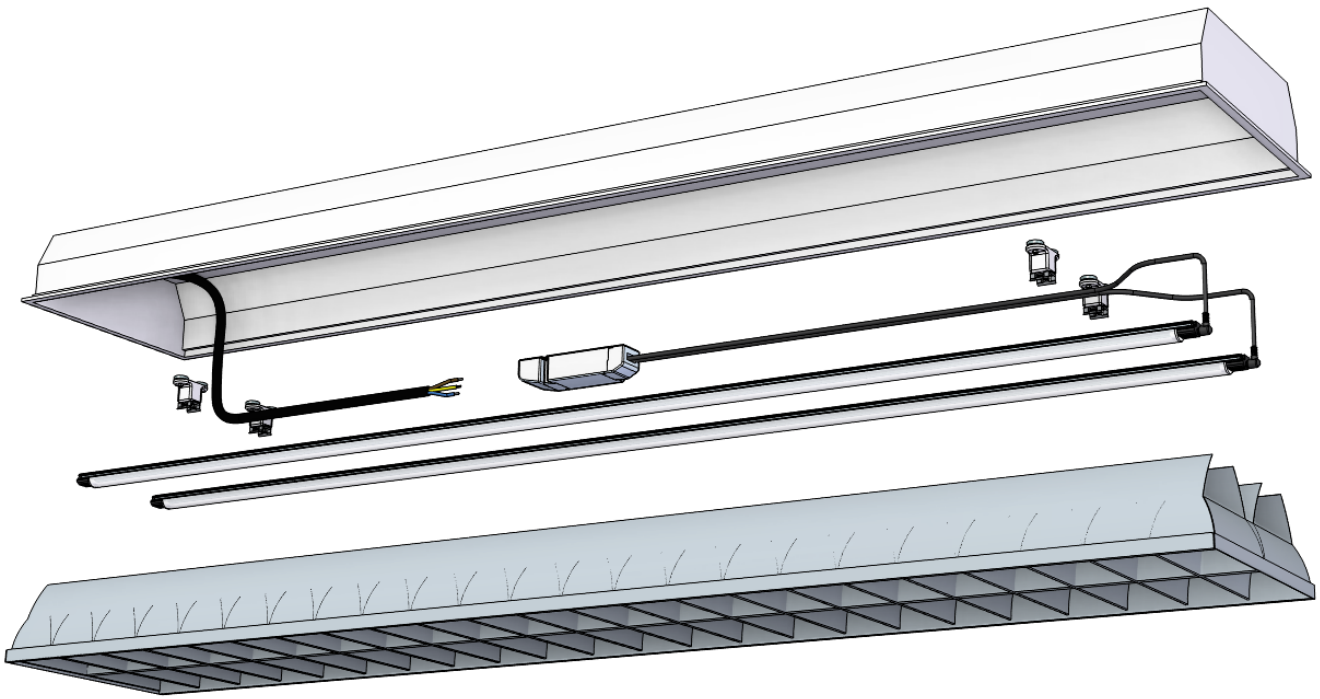
DATASHEET - WELIGHT REFIT GRID LUMINAIRES



Advantages vs. LED tubes

In contrast, if using LED tubes it is always critical and contentious in terms of the warranty. For LED tubes, the electrician would have to create a CE label for the retrofitted luminaire.

III WELIGHT REFIT SET



III YOUR INNOVATIVE SOLUTION

We offer REFIT Sets with the latest LED technology and guarantee simple and safe handling as a solution to replace the conventional light sources (T5, T8) in existing grid luminaires for further use.

A sustainable solution with recycling of original luminaire housing and minimal impact on the environment.

Your benefits at a glance:

- High efficiency lighting solution up to 180 lm/W
- Energy savings up to 70% compared to a fluorescent tube
- Energy savings up to 30% compared to a LED tube
- Directed light without further losses (symmetrical 120° beam angle)
- Re-use of the existing luminaire housing - no structural modifications required
- Plug&Play solution - contains luminaire(s), operating unit, cabling and magnetic holders
- Fully certified luminaires (CE, ENEC, UL, etc.)
- Excellent light quality with CRI 92
- Flicker-free illumination
- "Made in Europe" - in accordance with relevant environmental and sustainability regulations (carbon footprint)
- CRI >80 and ENEC certification fulfilled
- Your choice of Tridonic LED driver 24V: on/off, DALI or wireless

TECHNICAL DATA | ORDERING INFORMATION - ITEM SOLD AS A SET

Art. No. Set	Art. No. LEDlines	Type of Set	Luminaires Length	Luminous flux*	Typically replaces
1 luminaire					
W1401-940-IP54	W2603	Welight 6W LED REFIT SET for 18W T8 4000K (use TRI driver 18W 24V)	562mm	1x 900lm	1x 18W, T8, 600mm
W1402-940-IP54	W2608	Welight 13W LED REFIT SET for 36W T8 4000K (use TRI driver 18W 24V)	1170mm	1x 1970lm	1x 36W, T8, 1200mm
W1403-940-IP54	W2611	Welight 22W LED REFIT SET for 58W T8 4000K (use TRI driver 35W 24V)	1450mm	1x 3260lm	1x 58W, T8, 1500mm
W1404-940-IP54	W2601	Welight 6W LED REFIT SET for 14W T5 HE 4000K (use TRI driver 18W 24V)	516mm	1x 820lm	1x 14W, T5 HE, 550mm
W1405-940-IP54	W2604	Welight 8W LED REFIT SET for 21W T5 HE 4000K (use TRI driver 18W 24V)	843mm	1x 1170lm	1x 21W, T5 HE, 850mm
W1406-940-IP54	W2606	Welight 13W LED REFIT SET for 28W T5 HE 4000K (use TRI driver 18W 24V)	1124mm	1x 1890lm	1x 28W, T5 HE, 1150mm
W1407-940-IP54	W2609	Welight 13W LED REFIT SET for 35W T5 HE 4000K (use TRI driver 18W 24V)	1450mm	1x 2060lm	1x 35W, T5 HE, 1450mm
W1408-940-IP54	W2602	Welight 7W LED REFIT SET for 24W T5 HO 4000K (use TRI driver 18W 24V)	516mm	1x 1090lm	1x 24W, T5 HO, 550mm
W1409-940-IP54	W2605	Welight 12W LED REFIT SET for 39W T5 HO 4000K (use TRI driver 18W 24V)	843mm	1x 1850lm	1x 39W, T5 HO, 850mm
W1410-940-IP54	W2610	Welight 18W LED REFIT SET for 49W T5 HO 4000K (use TRI driver 18W 24V)	1450mm	1x 2740lm	1x 49W, T5 HO, 1450mm
W1411-940-IP54	W2607	Welight 21W LED REFIT SET for 54W T5 HO 4000K (use TRI driver 35W 24V)	1124mm	1x 3040lm	1x 54W, T5 HO, 1150mm
W1412-940-IP54	W2612	Welight 28W LED REFIT SET for 80W T5 HO 4000K (use TRI driver 35W 24V)	1450mm	1x 3970lm	1x 80W, T5 HO, 1450mm
W1413-940-IP54	W2601	Welight 6W LED REFIT SET for 13W T5 HE ECO 4000K (use TRI driver 18W 24V)	516mm	1x 820lm	1x 13W, T5 HE ECO, 550mm
W1414-940-IP54	W2606	Welight 13W LED REFIT SET for 25W T5 HE ECO 4000K (use TRI driver 18W 24V)	1124mm	1x 1890lm	1x 25W, T5 HE ECO, 1150mm
W1415-940-IP54	W2609	Welight 13W LED REFIT SET for 32W T5 HE ECO 4000K (use TRI driver 18W 24V)	1450mm	1x 2060lm	1x 32W, T5 HE ECO, 1450mm
W1416-940-IP54	W2602	Welight 7W LED REFIT SET for 20W T5 HO ECO 4000K (use TRI driver 18W 24V)	516mm	1x 1090lm	1x 20W, T5 HO ECO, 550mm
W1417-940-IP54	W2610	Welight 18W LED REFIT SET for 45W T5 HO ECO 4000K (use TRI driver 18W 24V)	1450mm	1x 2740lm	1x 45W, T5 HO ECO, 1450mm
W1418-940-IP54	W2607	Welight 21W LED REFIT SET for 50W T5 HO ECO 4000K (use TRI driver 35W 24V)	1124mm	1x 3040lm	1x 50W, T5 HO ECO, 1150mm
W1419-940-IP54	W2612	Welight 28W LED REFIT SET for 73W T5 HO ECO 4000K (use TRI driver 35W 24V)	1450mm	1x 3970lm	1x 73W, T5 HO ECO, 1450mm
2 luminaires					
W1420-940-IP54	W2603	Welight 2x6W LED REFIT SET for 2x18W T8 4000K (use TRI driver 18W 24V)	2x 562mm	2x 900lm	2x 18W, T8, 600mm
W1421-940-IP54	W2608	Welight 2x14W LED REFIT SET for 2x36W T8 4000K (use TRI driver 35W 24V)	2x 1170mm	2x 1970lm	2x 36W, T8, 1200mm
W1422-940-IP54	W2611	Welight 2x21W LED REFIT SET for 2x58W T8 4000K (use TRI driver 60W 24V)	2x 1450mm	2x 3260lm	2x 58W, T8, 1500mm
W1423-940-IP54	W2601	Welight 2x6W LED REFIT SET for 2x14W T5 HE 4000K (use TRI driver 18W 24V)	2x 516mm	2x 820lm	2x 14W, T5 HE, 550mm,
W1424-940-IP54	W2604	Welight 2x8W LED REFIT SET for 2x21W T5 HE 4000K (use TRI driver 18W 24V)	2x 843mm	2x 1170lm	2x 21W, T5 HE, 850mm
W1425-940-IP54	W2606	Welight 2x13W LED REFIT SET for 2x28W T5 HE 4000K (use TRI driver 35W 24V)	2x 1124mm	2x 1890lm	2x 28W, T5 HE, 1150mm
W1426-940-IP54	W2609	Welight 2x14W LED REFIT SET for 2x35W T5 HE 4000K (use TRI driver 35W 24V)	2x 1450mm	2x 2060lm	2x 35W, T5 HE, 1450mm
W1427-940-IP54	W2602	Welight 2x7W LED REFIT SET for 2x24W T5 HO 4000K (use TRI driver 18W 24V)	2x 516mm	2x 1090lm	2x 24W, T5 HO, 550mm
W1428-940-IP54	W2605	Welight 2x12W LED REFIT SET for 2x39W T5 HO 4000K (use TRI driver 35W 24V)	2x 843mm	2x 1850lm	2x 39W, T5 HO, 850mm
W1429-940-IP54	W2610	Welight 2x18W LED REFIT SET for 2x49W T5 HO 4000K (use TRI driver 35W 24V)	2x 1450mm	2x 2740lm	2x 49W, T5 HO, 1450mm
W1430-940-IP54	W2607	Welight 2x20W LED REFIT SET for 2x54W T5 HO 4000K (use TRI driver 60W 24V)	2x 1124mm	2x 3040lm	2x 54W, T5 HO, 1150mm
W1431-940-IP54	W2612	Welight 2x26W LED REFIT SET for 2x80W T5 HO 4000K (use TRI driver 60W 24V)	2x 1450mm	2x 3970lm	2x 80W, T5 HO, 1450mm
W1432-940-IP54	W2601	Welight 2x6W LED REFIT SET for 2x13W T5 HE ECO 4000K (use TRI driver 18W 24V)	2x 516mm	2x 820lm	2x 13W, T5 HE ECO, 550mm
W1433-940-IP54	W2606	Welight 2x13W LED REFIT SET for 2x25W T5 HE ECO 4000K (use TRI driver 35W 24V)	2x 1124mm	2x 1890lm	2x 25W, T5 HE ECO, 1150mm
W1434-940-IP54	W2609	Welight 2x14W LED REFIT SET for 2x32W T5 HE ECO 4000K (use TRI driver 35W 24V)	2x 1450mm	2x 2060lm	2x 32W, T5 HE ECO, 1450mm
W1435-940-IP54	W2602	Welight 2x7W LED REFIT SET for 2x20W T5 HO ECO 4000K (use TRI driver 18W 24V)	2x 516mm	2x 1090lm	2x 20W, T5 HO ECO, 550mm
W1436-940-IP54	W2610	Welight 2x18W LED REFIT SET for 2x45W T5 HO ECO 4000K (use TRI driver 35W 24V)	2x 1450mm	2x 2740lm	2x 45W, T5 HO ECO, 1450mm
W1437-940-IP54	W2607	Welight 2x20W LED REFIT SET for 2x50W T5 HO ECO 4000K (use TRI driver 60W 24V)	2x 1124mm	2x 3040lm	2x 50W, T5 HO ECO, 1150mm
W1438-940-IP54	W2612	Welight 2x26W LED REFIT SET for 2x73W T5 HO ECO 4000K (use TRI driver 60W 24V)	2x 1450mm	2x 3970lm	2x 73W, T5 HO ECO, 1450mm

TECHNICAL DATA | ORDERING INFORMATION - ITEM SOLD S A SET

Art. No. Set	Art. No. LEDlines	Type of Set	Luminaires Length	Luminous flux*	Typically replaces
3 luminaires					
W1439-940-IP54	W2603	Weight 3x6W LED REFIT SET for 3x18W T8 4000K (use TRI driver 18W 24V)	3x 562mm	3x 900lm	3x 18W, T8, 600mm
W1440-940-IP54	W2601	Weight 3x6W LED REFIT SET for 3x14W T5 HE 4000K (use TRI driver 18W 24V)	3x 516mm	3x 820lm	3x 14W, T5 HE, 550mm
W1441-940-IP54	W2602	Weight 3x7W LED REFIT SET for 3x24W T5 HO 4000K (use TRI driver 35W 24V)	3x 516mm	3x 1090lm	3x 24W, T5 HO, 550mm
W1442-940-IP54	W2601	Weight 3x6W LED REFIT SET for 3x13W T5 HE ECO 4000K (use TRI driver 18W 24V)	3x 516mm	3x 820lm	3x 13W, T5 HE ECO, 550mm
W1443-940-IP54	W2602	Weight 3x7W LED REFIT SET for 3x20W T5 HO ECO 4000K (use TRI driver 35W 24V)	3x 516mm	3x 1090lm	3x 20W, T5 HO ECO, 550mm
4 luminaires					
W1444-940-IP54	W2603	Weight 4x6W LED REFIT SET for 4x18W T8 4000K (use TRI driver 35W 24V)	4x 562mm	4x 900lm	4x 18W, T8, 600mm
W1445-940-IP54	W2601	Weight 4x6W LED REFIT SET for 4x14W T5 HE 4000K (use TRI driver 35W 24V)	4x 516mm	4x 820lm	4x 14W, T5 HE, 550mm
W1446-940-IP54	W2602	Weight 4x7W LED REFIT SET for 4x24W T5 HO 4000K (use TRI driver 35W 24V)	4x 516mm	4x 1090lm	4x 24W, T5 HO, 550mm
W1447-940-IP54	W2601	Weight 4x6W LED REFIT SET for 4x13W T5 HE ECO 4000K (use TRI driver 35W 24V)	4x 516mm	4x 820lm	4x 13W, T5 HE ECO, 550mm
W1448-940-IP54	W2602	Weight 4x7W LED REFIT SET for 4x20W T5 HO ECO 4000K (use TRI driver 35W 24V)	4x 516mm	4x 1090lm	4x 20W, T5 HO ECO, 550mm

- *Measurement with laboratory power supply
- All typical values for Ta=25°C +/- 2°C
- Luminous flux min. value = typ. value - 20%
- Tolerance mechanical dimensions +/- 1mm
- Tolerance electrical data +/- 15%
- Tolerance optical data +/- 15%
- Tolerance min. value CRI +1/-1
- Energy efficiency class (valid for light source): up to 80mA=C, from 100mA=D

OTHER LIGHT COLORS AVAILABLE ON REQUEST:

4000K is standard

CCT	2700K	3000K	5000K	6500K
-----	-------	-------	-------	-------

The version with 3000 K is also available for order. It has the same article code as the 4000 K variant but you use -930- instead of -940-.

WELIGHT RE-FIT INCLUDES

Your choice of set with:

- LEDlines to replace the fluorescent tubes in the existing luminaire
- 2x Magnetic fixing plates per LEDline
For the 1450 mm LEDline, 3 fixing plates is needed per LEDline
- Feeder cable and Bridge cable
- When using LED driver of 60W or 100W
– 2x Feeder cables required and no bridge cable



1-light luminaire – with 1 feeder cable



2-light luminaire with 60W LED driver
– with 2 feeder cables



2-light luminaire with 35W LED driver
– with 1 feeder cable and 1 bridge cable



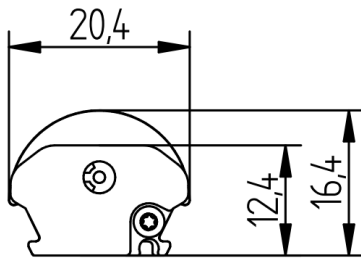
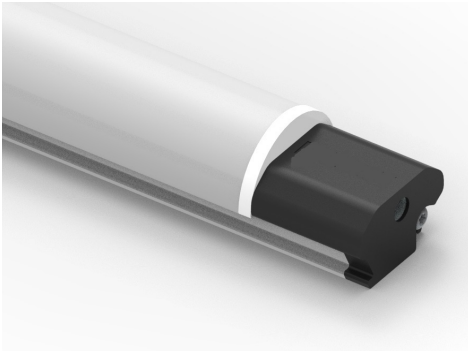
3 or 4-light luminaire
– with 1 feeder cable and 2-3 bridge cables

Your choice of LED driver

- Tridonic LED driver 24V with suitable power. Choose between on/off, or Dimmable: one4all, Casambi bDW, Matter. See page 6 for an overview of available drivers.



III LUMINAIRE - LEDline



III LUMINAIRE DESCRIPTION

- Suitable for the retrofitting of fluorescent tubes or LED tubes
- Ready-to-connect solution available, thanks to Cinch Connection System
- High operational performance due to directional lighting & integrated heat dissipation
- Excellent product illumination thanks to the combination of SMD LEDs and innovative optics
- Safe-use operation due to safety extra-low voltage (SELV)
- Simple installation with application of magnetic fixing plates
- Heat sink profile made of extruded aluminum
- LED modules protected against moisture & dust by conformal coating
- End caps made of PBT
- Cover made of PMMA
- Dimming capability

III TECHNICAL DATA

Supply voltage	24VDC
Ambient temperature t_a	-30 ... +30 °C
Max. surface temperature profile t_c	60 °C
Type of protection	IP54
Protection class	III
Risk group [EN 62471:2008]	0



III LIFETIME

70000h (L80 B10)

III STANDARDS

- EN 60598-1
- EN 60598-2-1
- EN 62031
- EN 62471
- EN 60335-1, EN 60335-2-24, EN 60335-2-89
- Eco Design 2019/2020 (SLR)
- Energy Labeling 2019/2015 (ELR)
- PRP/HACCP (Food Safety)
- RoHS/Reach
- ENEC, UL

III TEMPERATURE BEHAVIOR

Operating temperature (operation, no defects)	t_a	-30 ... +30 °C
Storage temperature	t_s	-30 ... +60 °C
Temperature cooling profile ¹²	t_c	-30 ... +60 °C

¹ Values apply to operation at 100% output, natural convection.

² If the maximum temperature limits are exceeded, the lifetime of the module will be greatly reduced or the module may be destroyed. The t_c point temperature at the profile of the light engine should be measured in the thermally stable state and under operating conditions by means of a temperature sensor or temperaturesensitive sticker in accordance with EN60598-1. The entire profile can be used as the t_c point.



Note

- Installation should only be conducted by a licensed electrician.
- Reversing the polarity can damage the product!
- Make sure the converter has been switched off prior to connecting the light engine. If this is not observed, the light engine may be damaged!
- Connection or operation is only permitted when using the specified converters. Higher voltages result in damage to or failure of the light engine.
- The user is responsible for correct selection of illumination intensity. Excessive illumination intensity may lead to greying or colour changes of displayed products.
- Our accessories must be used. Accessories (e.g. cables) from other manufacturers can lead to failures and damage. The use of these parts will void any warranty claim!
- Luminaires must not be installed next to a cooling or heating outlet!

LED DRIVER INCL. FEEDER CABLE



- Not dimmable driver: on/off via mains
- Dimmable drivers:
 - Digital dimming via DALI, DSI, switchDIM, corridorFUNCTION
 - Wireless control via Casambi Bluetooth mesh
 - Wireless control via Matter Thread protocol
- Magnetic mounting for the driver on request
- "Built-in" driver on request

ORDERING INFORMATION

Watt	on / off	one4all	Casambi bDW	Matter
Driver 18W item no.	87500931-S1073	28003517-S1076	35W: 28002415-S1079	35W: 28004485-S1081
Driver 35W item no.	87501050-S1074	28001662-S1077	28002415-S1079	28004485-S1081
Driver 60W item no.	87501051-S1075	28001663-S1078	28002416-S1080	28004486-S1082

LED driver 24V is also available with power of 100W, 150W and 200W

- Driver dimensions 18W: 127 / 130 x 43 x 30mm
- Driver dimensions 35W: 142 / 195 x 43 x 30mm
- Driver dimensions 60W: 225 x 43 x 30mm

FEEDER CABLE



- Power supply cable for connecting a linear LED luminaire with Quick connector to a driver
- The power supply cable is already connected to the driver

ORDERING INFORMATION

Length	Weight	Type	Item no.
530mm	30g	LED Feeder angled Quick connector 530	89601612

BRIDGE CABLE

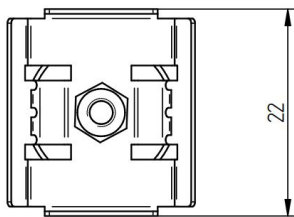
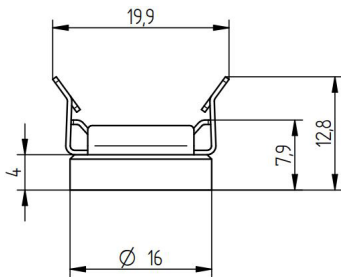
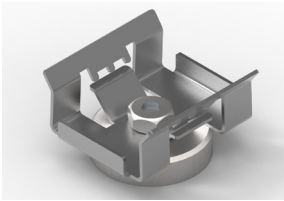


- Bridge to connect two luminaires with Quick connector

ORDERING INFORMATION

Length	Weight	Type	Item no.
200mm	9g	LED Bridge angled Quick connector 200	89601625

PLATE METAL 0° MAGNETIC



- Mounting holder with 0° angle & magnet
- Material: Metal

TECHNICAL DATA

Ambient temperature in installed condition	-30 ... +80 °C
Ambient temperature during assembly of the luminaire or profile	+10 ... +30 °C
Dimensions L x W x H	22 x 19.9 x 12.8mm
Weight	0.009kg

RoHS

ORDERING INFORMATION

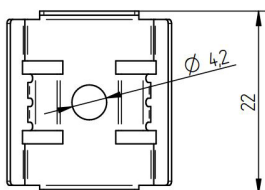
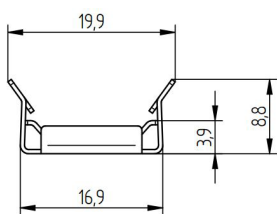
Type	Item no.
LED FIXING PLATE METAL 0° Magnetic	88167382

Packaging: 50 pcs./pack, 1000 pcs./box

Also available in multi packaging: 2 pcs, 4 pcs, 6 pcs or 8 pcs / bag, including drill screw

AVAILABLE ON REQUEST

PLATE METAL 0°



- Mounting holder with 0° angle
- Material: Metal
- Assembly: By means of self-tapping sheet metal screws

TECHNICAL DATA

Ambient temperature in installed condition	-30 ... +80 °C
Ambient temperature during assembly of the luminaire or profile	+10 ... +30 °C
Dimensions L x W x H	22 x 19.9 x 8.8mm
Weight	0.002kg

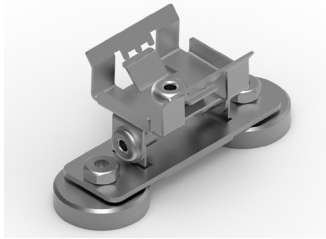
RoHS

ORDERING INFORMATION

Type	Item no.
LED FIXING PLATE METAL 0°	88167376

Packaging: 50 pcs./pack, 1000 pcs./box

PLATE METAL ADJUSTABLE MAGNETIC



- Magnetic mounting plate
- Material: Metal
- Angle adjustable from -60° to $+60^{\circ}$

TECHNICAL DATA

Ambient temperature in installed condition	-30 ... +80 °C
Ambient temperature during assembly of the luminaire or profile	+10 ... +30 °C
Dimensions L x W x H	49 x 19.9 x 22.8mm
Weight	0.024kg

RoHS

ORDERING INFORMATION

Type	Item no.
LED MAGNETIC PLATE METAL - adjustable	88167385
Packaging: 100 pcs./box	

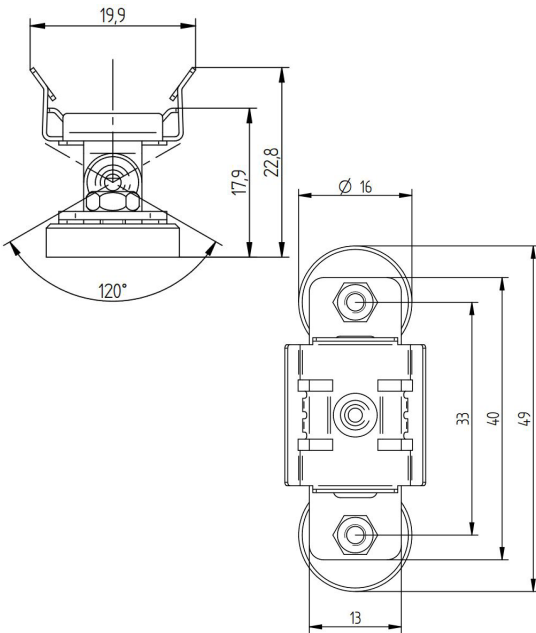
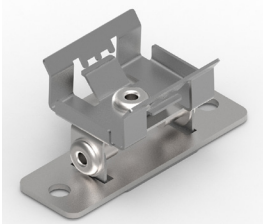


PLATE METAL ADJUSTABLE



- Mounting plate
- Material: Metal
- Angle adjustable from -60° to $+60^{\circ}$

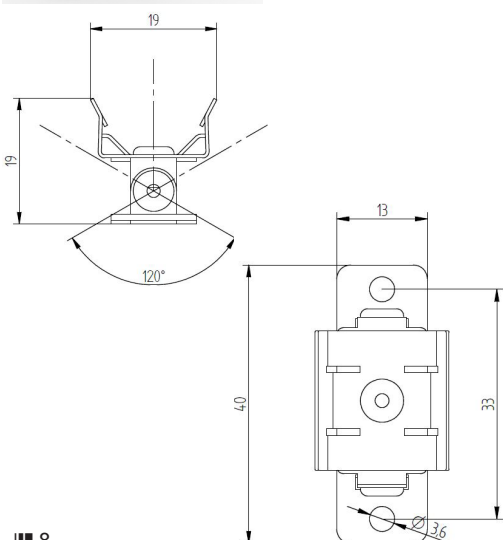
TECHNICAL DATA

Ambient temperature in installed condition	-30 ... +80 °C
Ambient temperature during assembly of the luminaire or profile	+10 ... +30 °C
Dimensions L x W x H	40 x 19 x 19mm
Weight	0.010kg

RoHS

ORDERING INFORMATION

Type	Item no.
LED FIXING PLATE METAL - adjustable	88167384
Packaging: 1000 pcs./box	



8