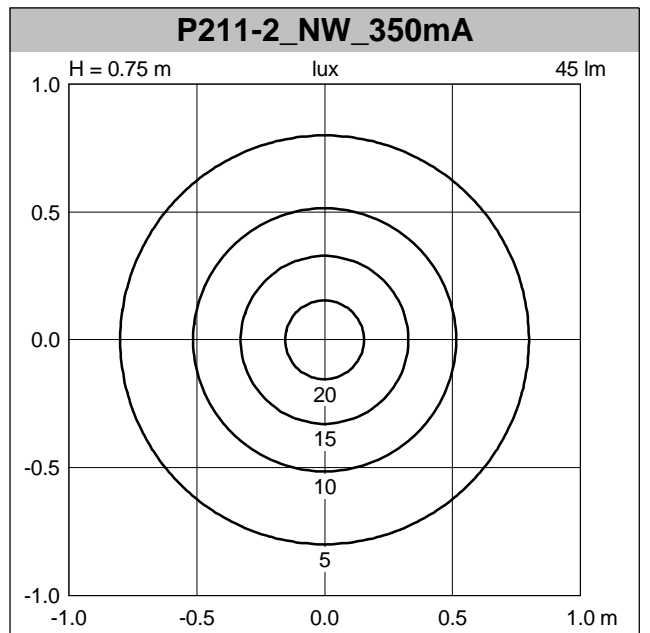
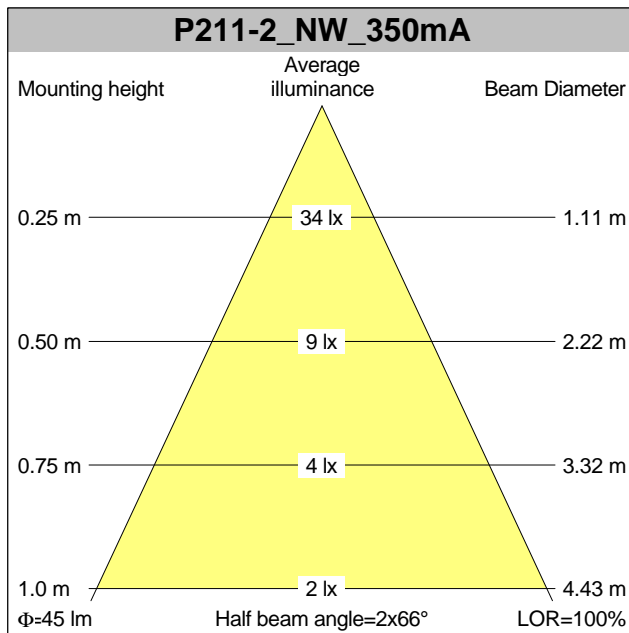


Intensities				
	C0	C90	C180	C270
0.0°	12.2	12.2	12.2	12.2
10.0°	12.1	12.1	12.1	12.1
20.0°	11.2	11.2	11.2	11.2
30.0°	10.5	10.5	10.5	10.5
40.0°	9.6	9.6	9.6	9.6
50.0°	8.3	8.3	8.3	8.3
60.0°	7.0	7.0	7.0	7.0
70.0°	5.5	5.5	5.5	5.5
80.0°	3.9	3.9	3.9	3.9
90.0°	1.5	1.5	1.5	1.5

Intensities in cd based on 45 lm



Technical Description		
Designation	P211-2_NW_350mA	
Description	I-Feld in cd/1000lm	
Measurement	P211-2_NW_350mA	05.05.2006
Manufacturers	TRIDONIC.ATCO	
Nominal luminous flux	45 lm	
Installed load	1.2 W	
Symmetry	ROT	