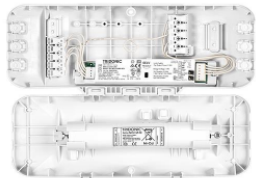


EM converterPACK PRO NiCd/LiFePO4 50 V

PRO version



Product description

- _ Remote pack for luminaire conversion
- _ Pre wired EM converterLED and battery contained
- _ Please note that due to EU law, this article is available for purchasing only outside of the European Union.
- _ For LED modules with a forward voltage of 10 – 54 V
- _ SELV for output voltage < 60 V DC
- _ Ideal for ceiling openings of diameter ≥ 150 mm and for mounting depths ≥ 100 mm
- _ EM = Emergency
- _ Nominal lifetime up to 100,000 h
- _ 5 years guarantee (conditions at <https://www.tridonic.com/manufacture-guarantee-conditions>)

Properties

- _ Non maintained operation
- _ 3 h rated duration
- _ Compatible with all dimmable and non-dimmable constant current LED driver (see data sheet, LED driver compatibility)
- _ 3-pole technology: 2-pole LED module changeover and delayed power switching for the LED driver
- _ Automatic shutdown of output if LED load is out of range
- _ Constant output voltage
- _ Electronic charge system
- _ Deep discharge protection
- _ Short-circuit-proof battery connection
- _ Strain relief and terminals included

Batteries

- _ High-temperature cells
- _ NiCd or LiFePO4 batteries
- _ 4 year design life for NiCd batteries
- _ 2 years guarantee for NiCd batteries (conditions at <https://www.tridonic.com/manufacture-guarantee-conditions>)
- _ 4 – 8 years design life for LiFePO4 batteries
- _ 5 years guarantee for LiFePO4 batteries (conditions at <https://www.tridonic.com/manufacture-guarantee-conditions>)

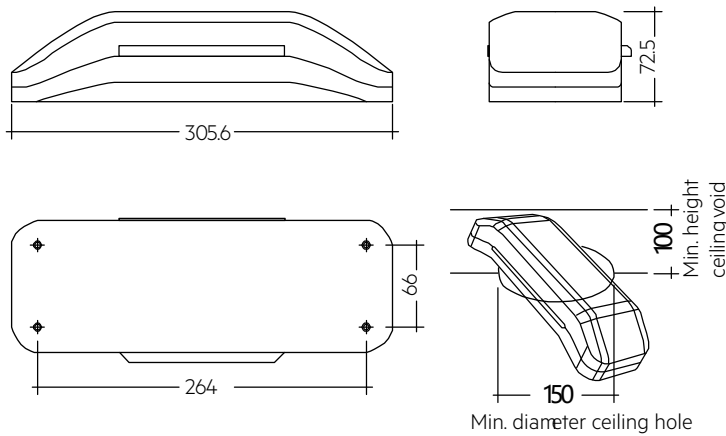
Website

<http://www.tridonic.com/89801048>



EM converterPACK PRO NiCd/LiFePO4 50 V

PRO version

**Ordering data**

| Type | Article number | Rated duration | Number of cells | Packaging, carton | Packaging, pallet | Weight per pc. | Dimensions L x W x H |
|---------------------------------------|----------------|----------------|-----------------|-------------------|-------------------|----------------|-------------------------|
| EM converterPACK PRO 233 NiCd 50V | 89801048 | 3 h | 3 | 1 pc(s). | 126 pc(s). | 0.81 kg | 305.6 x 115.3 x 72.5 mm |
| EM converterPACK PRO 232A LiFePO4 50V | 89801049 | 3 h | 3 | 1 pc(s). | 126 pc(s). | 0.57 kg | 305.6 x 115.3 x 72.5 mm |

Technical data

| | |
|---|---|
| Rated supply voltage | 220 – 240 V |
| AC voltage range | 198 – 264 V |
| Mains frequency | 50 / 60 Hz |
| Forward voltage range LED module | 10 – 54 V |
| Output current | Refer to EM converterLED BASIC data sheet |
| Starting time | < 0.5 s from detection of emergency event |
| Overvoltage protection | 320 V (for 48 h) |
| U-OUT (including open- / short-circuit and double load) | 60 V |
| Max. open circuit voltage | 60 V |
| Battery charging time | 24 h |
| Ambient temperature t_a | 5 ... +45 °C |
| Max. casing temperature t_c | 80 °C |
| Mains voltage changeover threshold | According to EN 60598-2-22 |
| Mains surge capability (between L - N) | 1 kV |
| Mains surge capability (between L/N - PE) | 2 kV |
| Type of protection | IP20 |
| Rest mode max. number of emergency units | 100 |
| Rest mode max. wiring distance | 1,000 m |
| Functional test | Weekly 5s test |
| Duration test | Yearly 3 h test |
| Lifetime | up to 100,000 h |
| Guarantee (conditions at www.tridonic.com) | 5 Year(s) |
| Dimensions L x W x H | 305.6 x 115.3 x 72.5 mm |

Status indication bi-colour LED EM CON

Accessory



Product description

- _ Two-colour status display LED
- _ Green: system OK, red: fault
- _ Plug connection

Website

<http://www.tridonic.com/89800273>


Ordering data

| Type | Article number | Packaging, bag | Packaging, carton | Weight per pc. |
|--|----------------|----------------|-------------------|----------------|
| LED EM bi-colour, 1.0 m CON | 89800273 | 25 pc(s). | 200 pc(s). | 0.015 kg |
| LED EM bi-colour, high brightness HO 1.0 m CON | 89800275 | 25 pc(s). | 200 pc(s). | 0.015 kg |
| LED EM 2-colour, 0.6 m CON | 89800474 | 25 pc(s). | 200 pc(s). | 0.009 kg |
| LED EM 2-colour, high brightness HO 0.6 m CON | 89800475 | 25 pc(s). | 200 pc(s). | 0.009 kg |
| LED EM bi-colour, 0.3 m CON | 89800274 | 25 pc(s). | 200 pc(s). | 0.005 kg |
| LED EM bi-colour, high brightness HO 0.3 m CON | 89800276 | 25 pc(s). | 200 pc(s). | 0.005 kg |

Test switch EM3

Accessory



Product description

- _ For connection to the emergency lighting unit
- _ For checking the device function
- _ Plug connection
- _ Dielectric strength: 1,500 V AC for 60 seconds

Website

<http://www.tridonic.com/89899956>


Ordering data

| Type | Article number | Packaging, bag | Packaging, carton | Weight per pc. |
|------------------|----------------|----------------|-------------------|----------------|
| Test switch EM 3 | 89899956 | 25 pc(s). | 200 pc(s). | 0.01 kg |

Approval marks

RoHS

ACD EM LED INDICATOR HOLDER

Accessory

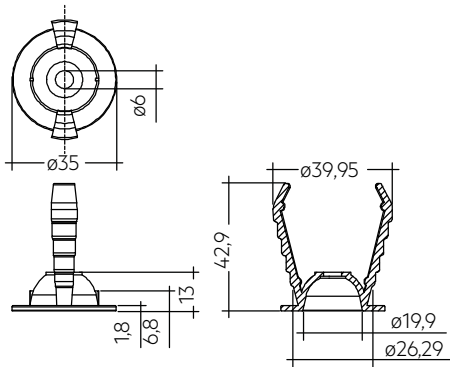


Product description

- _ Holder for indicator LED in emergency operation
- _ Glow-wire test with a temperature of 850 °C passed

Website

<http://www.tridonic.com/28002189>



Ordering data

| Type | Article number | Colour | Packaging, carton | Weight per pc. |
|-----------------------------|----------------|--------|-------------------|----------------|
| ACD EM LED INDICATOR HOLDER | 28002189 | White | 120 pc(s). | 0.006 kg |