

EM converterLED BASIC NiCd 50 V Kit

Ausführung BASIC



Product description

- _ Kit with emergency lighting LED driver, battery for 3 h duration and indication LED
- _ Please note that due to EU law, this article is available for purchasing only outside of the European Union.
- _ For self-contained emergency lighting
- _ For LED modules with a forward voltage of 10 – 54 V
- _ SELV for output voltage < 60 V DC
- _ Low profile casing (21 x 30 mm cross-section)
- _ For luminaire installation
- _ EM = Emergency
- _ 5 years guarantee (conditions at <https://www.tridonic.com/manufacture-guarantee-conditions>)

Properties

- _ Non maintained operation
- _ 3 h rated duration
- _ Compatible with all dimmable and non-dimmable constant current LED driver (see data sheet, LED driver compatibility)
- _ 3-pole technology: 2-pole LED module changeover and delayed power switching for the LED driver
- _ Automatic shutdown of output if LED load is out of range
- _ Constant power output
- _ Maximum light output for all LED modules
- _ Electronic charge system
- _ Deep discharge protection
- _ Short-circuit-proof battery connection
- _ Polarity reversal protection for battery

Batteries

- _ High-temperature cells
- _ NiCd batteries
- _ D cells
- _ 4 year design life
- _ 1 year guarantee (conditions at <https://www.tridonic.com/manufacture-guarantee-conditions>)

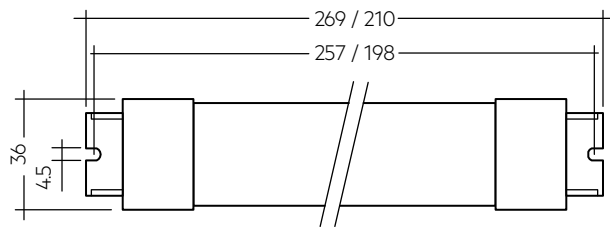
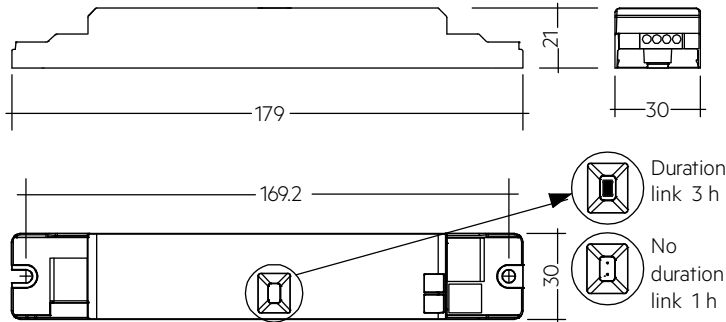
Website

<http://www.tridonic.com/89800699>



EM converterLED BASIC NiCd 50 V Kit

Ausführung BASIC



Ordering data

Type	Article number	Rated duration	Packaging, carton	Packaging, pallet	Weight per pc.	Dimensions L x W x H
EM converterLED BASIC 203 NiCd 50V KIT	89800699	3 h	25 pc(s).	300 pc(s).	0.483 kg	179 x 30 x 21 mm
EM converterLED BASIC 204 NiCd 50V KIT	89800678	3 h	25 pc(s).	300 pc(s).	0.685 kg	179 x 30 x 21 mm

Technical data

Rated supply voltage ^①	220 – 240 V
Mains frequency	50 / 60 Hz
Typ. λ (at 230 V, 50 Hz)	0.65C
Forward voltage range LED module EM converterLED 204 50V	10 – 54 V
Output current	Refer to data sheet
Starting time	< 0.25 s from detection of emergency event
Overvoltage protection	320 V (for 48 h)
U-OUT EM converterLED 204 50V	60 V
Battery charging time ^②	24 h
Ambient temperature t _a	-5 ... +55 °C
Max. casing temperature t _c	75 °C
Mains voltage changeover threshold	According to EN 60598-2-22
Type of protection	IP20
Guarantee (conditions at www.tridonic.com)	5 Year(s)
Dimensions L x W x H	179 x 30 x 21 mm

① These values are only valid for EM converterLED BASIC. For battery values see data sheet EM converterLED BASIC NiCd-NiMH 50V.

② 16 h battery charging time for 2 h emergency lighting function according to AS 2293.

Status indication green LED EM CON

Accessory



Product description

- _ A green LED indicates that charging current is flowing into the battery
- _ 0.3 / 1.0 m cable length
- _ Plug connection

Website

<http://www.tridonic.com/89800271>



Ordering data

Type	Article number	Packaging, bag	Packaging, carton	Weight per pc.
LED EM green, HO 1.0 m CON	89800271	25 pc(s).	200 pc(s).	0.015 kg