

Control C004

Dimmable

Product description

- 3-channel PWM booster
- For 12 or 24 V DC LED modules
- For monochrome or RGB modules
- Suitable for combining with Control C002, Converter K210 and K211
- Ideal for controlling LED objects with relatively high system output (max. 2 A / channel)
- With integrated cable clamp and terminal cover
- Inputs electrically insulated from the supply voltage and output section
- Reverse polarity protection
- Short-circuit and overcurrent protection for output channels
- Automatic shutdown on overheating
- 6-pole screw terminal on the primary side
- 4-pole screw terminal on the secondary side
- Rapid installation of the cable clamp, no tools required



Standards, page 3

Wiring diagrams and installation examples, page 3

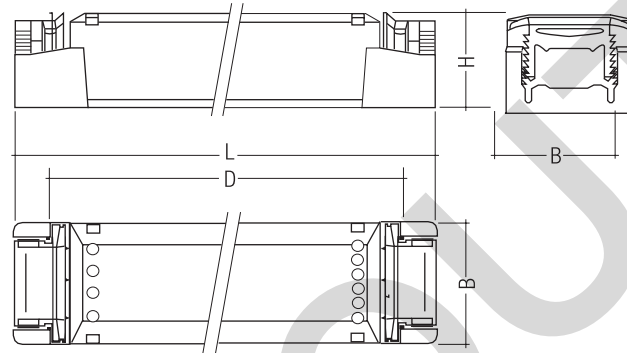


Control C004

Dimmable

Technical data

DC voltage range ^①	12 – 24 V (SELV)
Max. supply current	6 A
Number of control inputs	3 x PWM electrically isolated
Control input, PWM voltage	12 – 24 V
Control input, power draw	15 mA / channel
Control input, polarity reversal protection	Yes, reversible
Number of output channels	3 x PWM (RGB)
Output voltage range ^①	12 – 24 V (SELV)
Output current	max. 2 A / channel
Output, overcurrent protection	Yes (2.8 A)
Output, short-circuit protection	Yes, reversible
Ambient temperature t_a	-25 ... +45 °C
Max. casing temperature	70 °C
Dimensions L x W x H	167 x 42 x 31 mm
Hole spacing D	143 – 148 mm

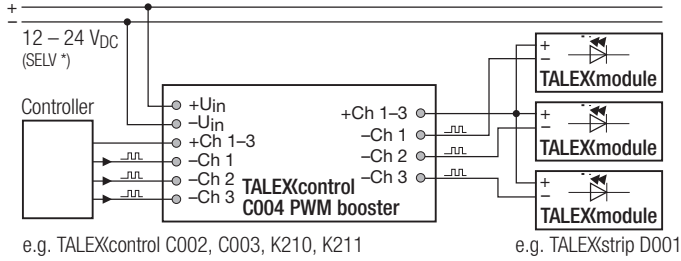


Ordering data

Type	Article number	Packaging, carton	Weight per pc.
C004	24138760	10 pc(s).	0.1 kg

^① SELV to be provided by the supply unit, e.g. Converter LCU 100 W.

Standards
EN 61347-1
EN 61347-2-13
EN 61547
EN 62384



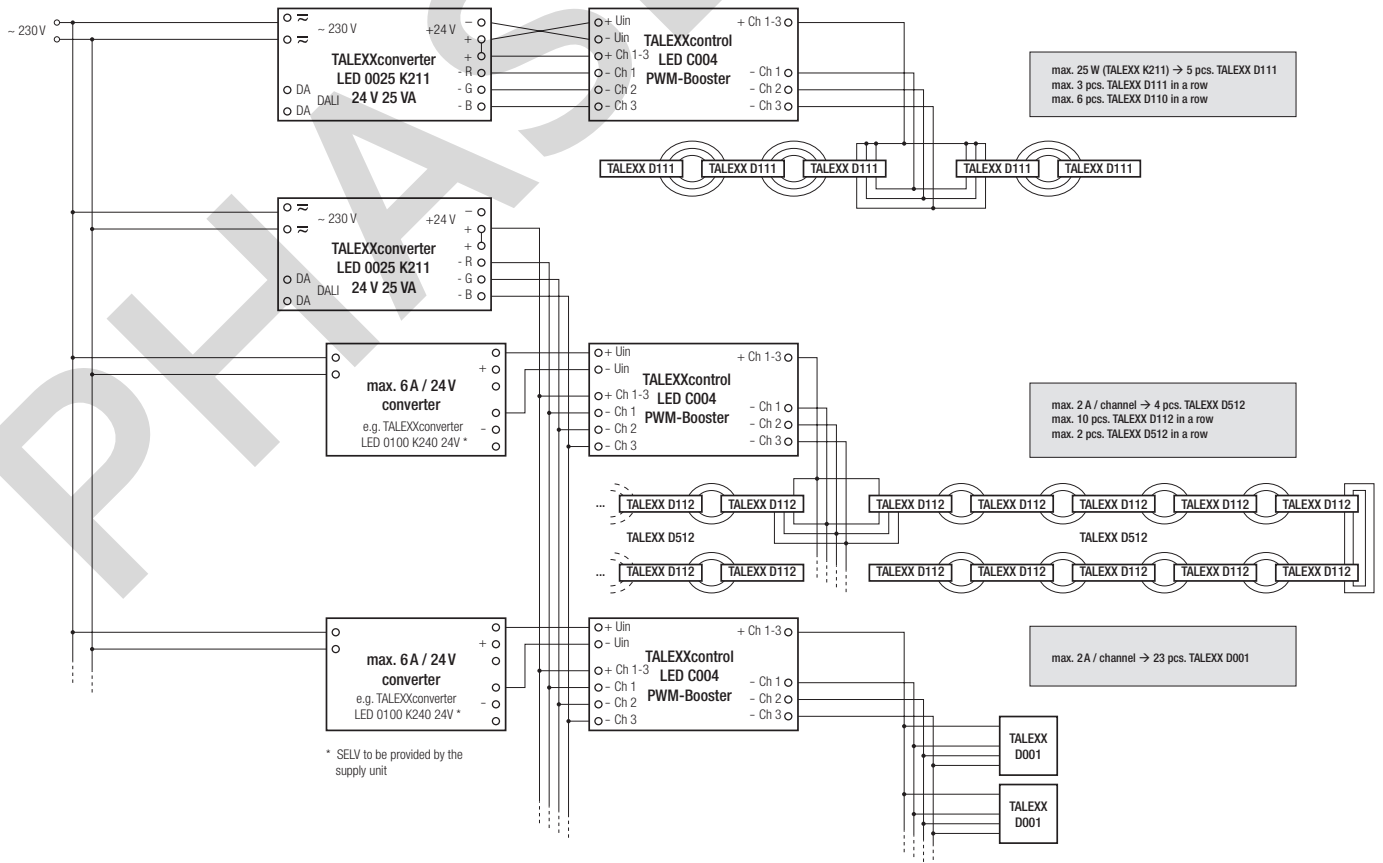
Combination control device with control LED C004 PWM booster

control	number of control C004 PWM booster
C001	max. 120
C002	max. 120
C003	max. 40
K211	max. 15
K210	max. 45

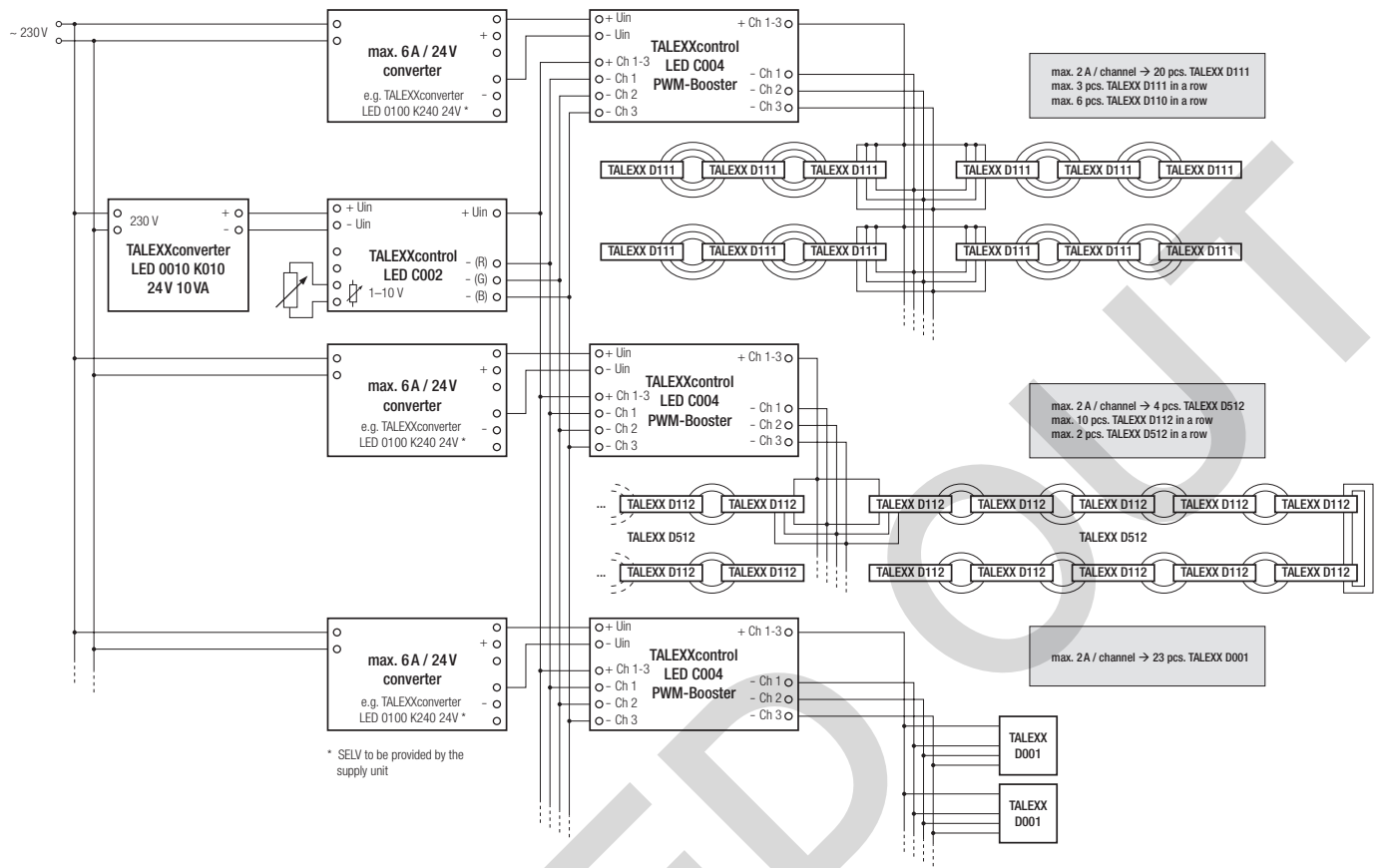
Max. number of modules on control LED C004 (max. 2 A / channel)

converter	D001	D111	D112	D114	D511
K240 24 V (100 W)	23	33	28	20	-
K220 24 V (25 W)	5	8	7	5	-
K240 12 V (100 W)	-	-	-	-	2
K220 12 V (25 W)	-	-	-	-	1

DALI control unit TALEXconverter LED 0025 K211 with TALEXcontrol LED C004 PWM booster



Sequencer TALEXcontrol LED C002 with TALEXcontrol LED C004 PWM booster



Vone4all control unit TALEXconverter LED 0025 K210 with TALEXcontrol LED C004 PWM booster

