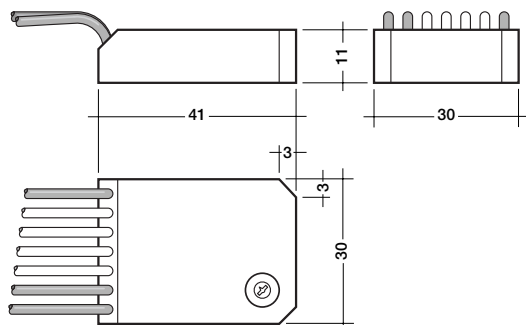


Digital control module with four independent inputs to recall four DALI scenes with conventional momentary switches

DALI SC



Functional description

- Ultra compact control module to set and recall lighting-scenes from DALI ballasts with conventional momentary switches.
- Assigning of momentary switches to specific groups is done by selecting the group range via a turn switch on the back of the module.
- Programming of lighting scenes can be done from each DALI SC module by activating a simple "momentary switch" sequence.
- DALI SC modules allow multi master operation. Multiple control modules can be used on the same comfortDIM DALI network.
- 5-year guarantee

Installation

- The DALI SC is inserted into the mounting box for the momentary switch.
- The DALI SC must not be connected to the mains. It is supplied directly via the DALI signal line.
- The momentary switches are connected directly to the DALI SC (potential free contacts) and must not be connected to the mains.
- DALI signals are not SELV. Therefore the same procedures should be applied as working with mains voltage.
- The connection leads between the momentary switches and the DALI SC must not be lengthened.

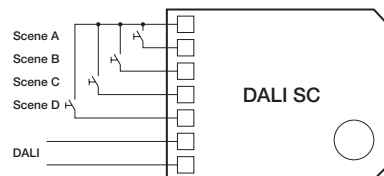
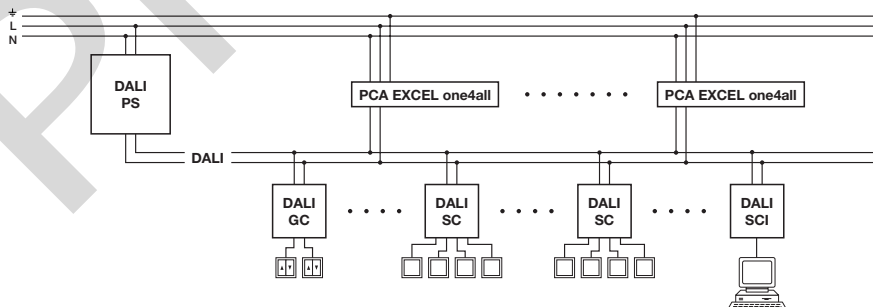
type	DALI SC	
article number	24034263	
supply	-	via DALI signal line
current	-	6 mA
input	4 momentary switches	single
output	-	DALI (broadcast)
scenes	-	4 from 16
temperature	permitted ambient temperature	0 °C – 50 °C

Glow-wire test

according to EN 60598-1 passed.

DALI standard

The DALI SC is designed to control control gear with DALI standard IEC 60929 (DALI V0) and IEC 62386 (DALI V1).



single momentary switch