

**Driver LCBU 10W 12V BASIC phase-cut SR**  
BASIC series

### Product description

- Dimmable via leading-edge and trailing-edge phase dimmer
- Nominal life of 50,000 h (at ta max. 50 °C with a failure rate of max. 0.2 % per 1,000 h)
- 12 V DC output voltage
- Screw terminals
- Connecting cable, wire cross-section 0.5 – 2.5 mm<sup>2</sup>
- Output power 10 W
- SELV
- Type of protection IP20
- Dimming range typ. 5 to 100 % (depending on dimmer)

### Properties

- Casing: polycarbonat, white
- Compact dimensions
- Overload protection
- Short-circuit protection
- No-load protection

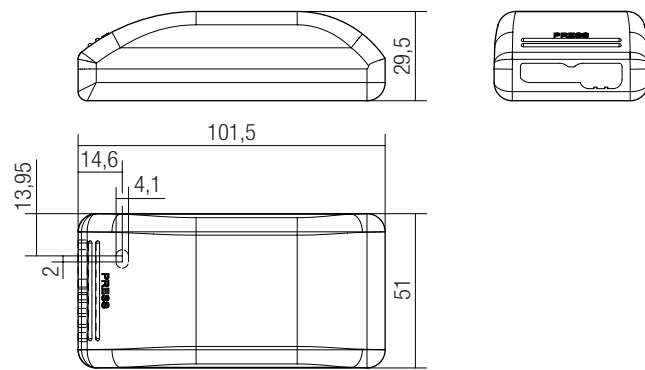


**Standards**, page 3

**Wiring diagrams and installation examples**, page 3

IP20 SELV        RoHS**Driver LCBU 10W 12V BASIC phase-cut SR**  
BASIC series**Technical data**

Rated supply voltage	220 – 240 V
AC voltage range	198 – 264 V
Mains frequency	50 / 60 Hz
Typ. rated current (at 230 V, 50 Hz, full load)	0.06 A
Typ. current ripple (at 230 V, 50 Hz, full load)	± 30 %
Power factor at full load <sup>①</sup>	0.9
Power factor at min. load <sup>①</sup>	0.7
Turn on time (at 230 V, 50 Hz, full load)	≤ 0.1 s
Turn off time (at 230 V, 50 Hz, full load)	≤ 0.1 s
Hold on time at power failure (output)	0 s
Ambient temperature t <sub>a</sub>	-25 ... +50 °C
Ambient temperature t <sub>a</sub> (at life-time 50,000 h)	50 °C
Max. casing temperature t <sub>c</sub>	75 °C
Storage temperature t <sub>s</sub>	-40 ... +85 °C
Dimensions L x W x H	102 x 51 x 30 mm

**Ordering data**

Type	Article number	Packaging, carton	Packaging, pallet	Weight per pc.
LCBU 10W 12V BASIC phase-cut SR	89800289	20 pc(s).	1,000 pc(s).	0.065 kg

**Specific technical data**

Type	Efficiency at full load <sup>①</sup>	Efficiency at min. load <sup>①</sup>	Max. output current	Output voltage DC	Max. output voltage DC	Max. input power	Output power
LCBU 10W 12V BASIC phase-cut SR	77 %	65 %	0.83 A	11 – 15 V	15 V	13 W	3 – 10 W

① Test result at 230 V, 50 Hz.

## 1. Standards

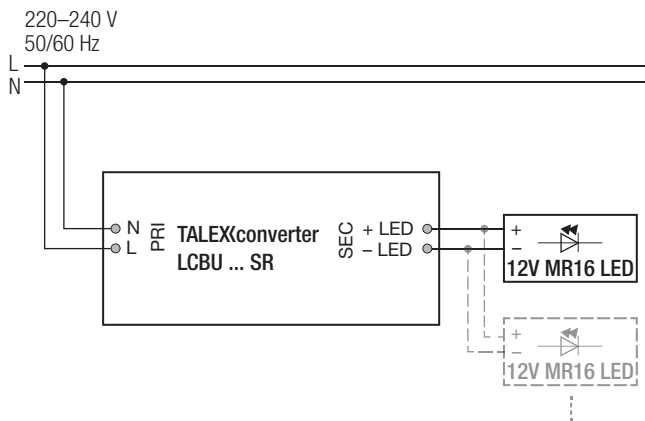
EN 55015  
EN 61000-3-2  
EN 61000-3-3  
EN 61347-1  
EN 61347-2-13  
EN 61547  
EN 62384

### 1.1 Glow wire test

according to EN 60598-1 with increased temperature of 850 °C passed.

## 2. Installation / wiring

### 2.1 Circuit diagram

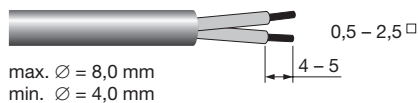


### 2.2 Wiring type and cross section

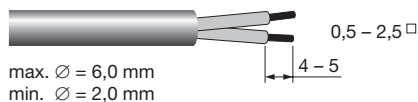
The wiring can be in stranded wires with ferrules or solid. For perfect function of the cage clamp terminals the strip length should be 4 – 5 mm for the input terminal.

The max. torque at the clamping screw (M3) is 0.2 Nm.

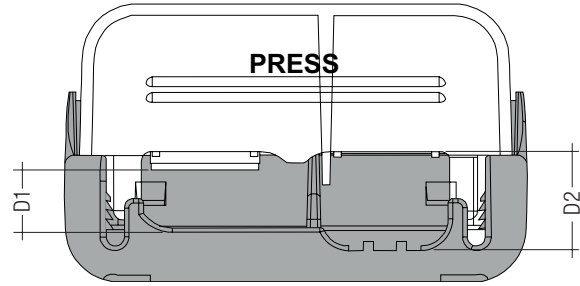
#### Input terminal (D2)



#### Output terminal (D1)



To get a proper working strain relief it is recommended that the cable jacket diameter of the side D2 is compared to the side D1 terminal according to the value table. (This can vary if the used cable jacket material varies from side D2 to D1 in pinching property).



Depending on the used flaps of the terminal following cable jacket diameter difference between the side D2 and D1 terminals is recommended:

Side D1		Side D2		Difference D2 - D1
With flap	Without flap	With flap	Without flap	
x	–	–	x	4 mm
–	x	–	x	2 mm
x	–	x	–	2 mm
–	x	x	–	0 mm

### 2.3 Wiring instructions

The secondary leads should be separated from the mains connections and wiring for good EMC performance. Maximum lead length on secondary side is 3 x 2 m (parallel wiring of 12 V modules). For a good EMC performance keep the the LED wiring as short as possible.

### 2.4 Compatibility between LED Driver and light source

The compatibility between LED Driver and light source should be strictly checked in advance in a test.

### 3. Electrical values

#### 3.1 Maximum loading of automatic circuit breakers

Automatic circuit breaker type	C10	C13	C16	C20	B10	B13	B16	B20	Inrush current	
									$I_{max}$	Time
Installation Ø	1.5 mm <sup>2</sup>	1.5 mm <sup>2</sup>	1.5 mm <sup>2</sup>	2.5 mm <sup>2</sup>	1.5 mm <sup>2</sup>	1.5 mm <sup>2</sup>	1.5 mm <sup>2</sup>	2.5 mm <sup>2</sup>		
<b>LCBU 10W 12V BASIC phase-cut SR</b>	50	65	80	100	50	65	80	100	1.7 A	40 µs

### 4. Functions

#### 4.1 Overload protection

If the output voltage range is exceeded the LED Driver reduces the LED output current. After elimination of the overload the nominal operation is restored automatically.

#### 4.2 Short-circuit behaviour

In case of a short circuit on the secondary side (LED) the LED Driver switches into hic-cup mode. After the removal of the short-circuit fault the LED Driver will recover automatically.

#### 4.3 No-load operation

The LED Driver works in constant current mode. In no-load operation there is the max. output voltage at the output (see page 1).

### 5. Miscellaneous

#### 5.1 Isolation and electric strength testing of luminaires

Electronic devices can be damaged by high voltage. This has to be considered during the routine testing of the luminaires in production.

According to IEC 60598-1 Annex Q (informative only!) or ENEC 303-Annex A, each luminaire should be submitted to an isolation test with 500 V<sub>DC</sub> for 1 second. This test voltage should be connected between the interconnected phase and neutral terminals and the earth terminal. The isolation resistance must be at least 2 MΩ.

As an alternative, IEC 60598-1 Annex Q describes a test of the electrical strength with 1500 V<sub>AC</sub> (or 1.414 x 1500 V<sub>DC</sub>). To avoid damage to the electronic devices this test must not be conducted.

#### 5.2 Installation instructions

Note the requirements set out in the document LED\_driver\_installation\_advise.pdf (<http://www.tridonic.com/com/en/technical-docs.asp>).

Hot plug-in or secondary switching of LEDs is not permitted and may cause a very high current to the LEDs.

#### 5.3 Additional information

Additional technical information at [www.tridonic.com](http://www.tridonic.com) → Technical Data

Guarantee conditions at [www.tridonic.com](http://www.tridonic.com) → Services

Life-time declarations are informative and represent no warranty claim. No warranty if device was opened.