

IP20    

Not applicable for articles 89601369 and 89601370:



TALEXengine IMAGE SELECT TALEXengine IMAGE 700 mA

Product description

- Complete solution with standard cable
- High efficiency thanks to directional lighting and integrated heat removal
- High quality of light thanks to a combination of COB LEDs and optics
- Safety extra low voltage (SELV)
- Simple installation thanks to pre-fitted adhesive tape
- Connection: H03WH, white, length 1.5 m
- Cross section connection: 2 x 0.75 mm²
- Cooling section made of anodised, extruded aluminium
- End caps made of CrNi
- Linear lenses made of PMMA
- Safety extra low voltage (SELV), protection class III

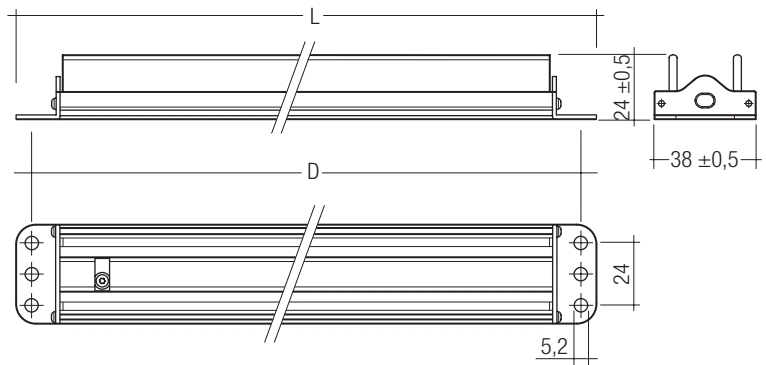
Technical data

Supply current DC	700 mA
Ambient temperature t_a	-30 ... +45 °C
Max. surface temperature on profile	75 °C
Storage temperature t_s	-30 ... +80 °C
Type of protection	IP20
Protection class	III
Risk group (EN 62471:2008)	1



Standards, page 3

Colour temperatures and tolerances, page 5



Ordering data

Type	Article number	Length L	Colour	Colour temperature [®]	Packaging, carton	Packaging, pallet
LED IMA-SEL DL 700mA 300 3 20 1000	89601366	300 mm	Daylight white	6,500 K	100 pc(s).	200 pc(s).
LED IMA-SEL DL 700mA 500 5 20 1000	89601409	500 mm	Daylight white	6,500 K	48 pc(s).	192 pc(s).
LED IMA-SEL DL 700mA 600 6 20 1000	89601367	600 mm	Daylight white	6,500 K	48 pc(s).	192 pc(s).
LED IMA-SEL DL 700mA 900 9 20 1000	89601368	900 mm	Daylight white	6,500 K	15 pc(s).	240 pc(s).
LED IMA-SEL DL 700mA 1200 12 20 1000	89601369	1,200 mm	Daylight white	6,500 K	15 pc(s).	240 pc(s).
LED IMA-SEL DL 700mA 1500 12 20 1000	89601370	1,500 mm	Daylight white	6,500 K	15 pc(s).	240 pc(s).

Specific technical data

Type	Photometric code	Hole spacing D	Number of LED	Lens	Colour rendering index CRI	Typ. luminous flux ^{® ②}	Typ. forward voltage [®]	Power consumption, typ. [®]	Luminous efficacy
LED IMA-SEL DL 700mA 300 3 20 1000	765 / 569	288 mm	3	30°	75	435 lm	10.5 V	7.3 W	59 lm/W
LED IMA-SEL DL 700mA 500 5 20 1000	765 / 569	488 mm	5	30°	75	725 lm	17.5 V	12.3 W	59 lm/W
LED IMA-SEL DL 700mA 600 6 20 1000	765 / 569	588 mm	6	30°	75	870 lm	21.0 V	14.7 W	59 lm/W
LED IMA-SEL DL 700mA 900 9 20 1000	765 / 569	888 mm	9	30°	75	1,305 lm	31.5 V	22.0 W	59 lm/W
LED IMA-SEL DL 700mA 1200 12 20 1000	765 / 569	1,188 mm	12	30°	75	1,740 lm	42.0 V	29.4 W	59 lm/W
LED IMA-SEL DL 700mA 1500 12 20 1000	765 / 569	1,488 mm	12	30°	75	1,740 lm	42.0 V	29.4 W	59 lm/W

[®] Tolerance range for optical data: +0 % / -30 %.

[®] At $t_c = 45$ °C.

[®] Tolerance range for electrical data: ±15 %.

[®] Value refers to LED (central measurement).

All values at $t_a = 25$ °C and 700 mA.

Converter matrix – TALEXengine IMAGE SELECT 700 mA

Type	LCI 015/0700 E020 ^①	LCI 030/0700 E020 ^①	LCI 015/0700 M020 ^②	LCI 030/0700 M120 ^②
Article number	24166313	24166314	86459181	86459178

Assignable converter

Type	Article number	LCI 015/0700 E020 ^①		LCI 030/0700 E020 ^①		LCI 015/0700 M020 ^②		LCI 030/0700 M120 ^②	
		Min.	Max.	Min.	Max.	Min.	Max.	Min.	Max.
LED IMA-SEL DL 700mA 300 3 20 1000	89601366	1	1	3	3	1	2	1	4
LED IMA-SEL DL 700mA 500 5 20 1000	89601409	1	1	2	2	1	1	1	2
LED IMA-SEL DL 700mA 600 6 20 1000	89601367					1	1	1	2
LED IMA-SEL DL 700mA 900 9 20 1000	89601368			1	1			1	1
LED IMA-SEL DL 700mA 1200 12 20 1000	89601369			1	1			1	1
LED IMA-SEL DL 700mA 1500 12 20 1000	89601370			1	1			1	1

^① Type of protection IP20

^② Type of protection IP67

Standards

- EN 60598-2-1
- EN 62031
- EN 62471

The product meets the “independent LED module” classification according to EN 62031.

Certificates

- UL file: e313318

Photometric code

Key for photometric code, e. g. 830 / 559

1 st digit	2 nd + 3 rd digit	4 th digit	5 th digit	6 th digit	
Code	CRI	Colour temperature in Kelvin x 100	McAdams initial	McAdams after 25% of the lifetime (max.6000h)	Lumen maintenance after 25% of the lifetime (max.6000h)
7	67 – 76			Code	Remaining lumen
8	77 – 86			7	≥ 70 %
9	87 – ≥90			8	≥ 80 %
				9	≥ 90 %

Thermal behaviour

operation temperature (operation, no defects)	ta	- 30 → + 45 °C
storage temperature	ts	- 30 → + 80 °C
max. temperature cooling profile	tc	- 30 → + 75 °C

The values apply to operation at 100 % output, natural convection. If the maximum temperature limits are exceeded, the life of the TALEXengine IMAGE SELECT will be greatly reduced. The TALEXengine IMAGE SELECT can fail within a short time.

The tc point temperature of the TALEXengine IMAGE SELECT has to be measured in the thermally stable state and under operating conditions. Measurement setup e.g. according to IEC/EN 60598-1.

Installation of TALEXengine IMAGE SELECT

- Mount with end caps.
- Screws ST3.9 and ST3.5 (according to EN ISO 15481) can be used for the mounting hole.

Electrical supply/choice of converter

TALEXengine IMAGE SELECT from Tridonic are not protected against overvoltages, overcurrents, overloads or short-circuit currents. Safe and reliable operation can only be guaranteed in conjunction with a converter which complies with the relevant standards. The use of TALEX converters from Tridonic in combination with TALEXengine IMAGE SELECT guarantees the necessary protection for safe and reliable operation.

If a converter other than Tridonic TALEXconverter is used, it must provide the following protection:

- Short-circuit protection
- Overtemperature protection

TALEXengine IMAGE SELECT must be supplied by a constant current converter. Operation with a constant voltage converter will lead to an irreversible damage. The TALEXengine IMAGE SELECT is equipped with reverse voltage protection up to 50V.



- For chaining of multiple TALEXengine IMAGE SELECT units please note the wiring example and the number of engines/converters.
- The converter must be switched off before connecting the TALEXengine IMAGE SELECT. This can damage the TALEXengine IMAGE SELECT!

TALEXengine IMAGE SELECT in conjunction with water

- Admissible Environmental Conditions:
The LEDs used in the TALEXengine IMAGE SELECT are provided with a protective coating to guard against superficial dewing (according to JEDEC JESD22 A100C) and high relative air humidity.
- Harmful Environmental Conditions:
The product is not designed to be operated in contact with water.

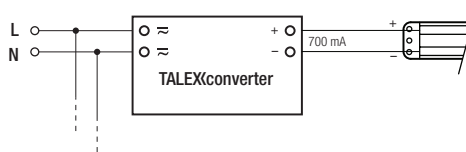
Wiring

Cable: H03VVH2-F cross section 2 x 0,75 mm², white, Length 1.5 m

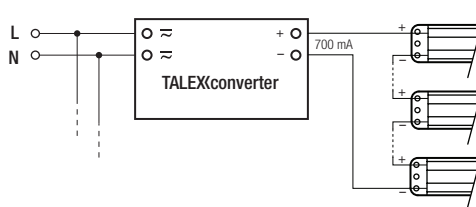
Colour	red	black
Function	+	-



Wiring example TALEXengine IMAGE SELECT



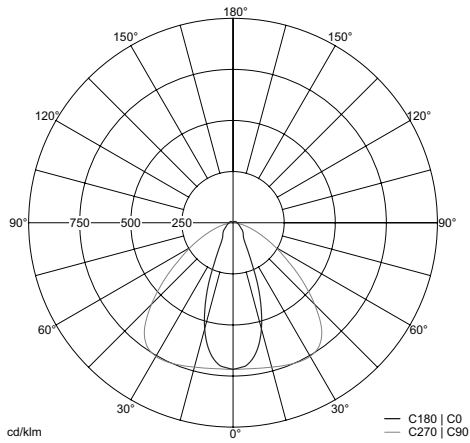
Wiring example for 2 or more TALEXengine IMAGE SELECT in series



Lifetime

tc temperature in °C	luminous flux in %	lifetime in h
0	80	31.000
	70	50.000
	50	96.000
15	80	30.000
	70	48.000
	50	93.000
25	80	29.000
	70	47.000
	50	91.000
45	80	28.000
	70	45.000
	50	87.000
75	80	24.000
	70	39.000
	50	75.000

Luminous intensity distribution TALEXengine IMAGE SELECT:



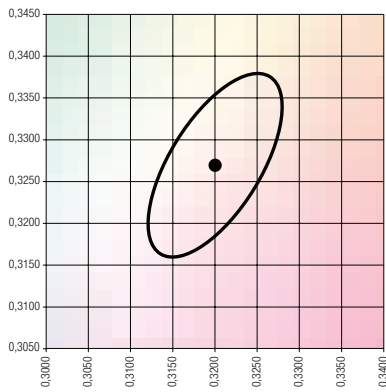
Type	Mounting height	Average illuminance	Beam diameter
LED IMA-SEL DL 700mA 300 2 20 1000	0.25 m	4,087 lx	0.19 m
	0.50 m	1,022 lx	0.39 m
	0.75 m	454 lx	0.58 m
	1.00 m	255 lx	0.78 m
LED IMA-SEL DL 700mA 500 5 20 1000	0.25 m	6,811 lx	0.19 m
	0.50 m	1,703 lx	0.39 m
	0.75 m	757 lx	0.58 m
	1.00 m	426 lx	0.78 m
LED IMA-SEL DL 700mA 600 6 20 1000	0.25 m	8,174 lx	0.19 m
	0.50 m	2,043 lx	0.39 m
	0.75 m	908 lx	0.58 m
	1.00 m	511 lx	0.78 m
LED IMA-SEL DL 700mA 900 9 20 1000	0.25 m	12,260 lx	0.19 m
	0.50 m	3,065 lx	0.39 m
	0.75 m	1,362 lx	0.58 m
	1.00 m	766 lx	0.78 m
LED IMA-SEL DL 700mA 1200 12 20 1000	0.25 m	16,347 lx	0.19 m
	0.50 m	4,087 lx	0.39 m
	0.75 m	1,816 lx	0.58 m
	1.00 m	1,022 lx	0.78 m
LED IMA-SEL DL 700mA 1500 12 20 1000	0.25 m	16,347 lx	0.19 m
	0.50 m	4,087 lx	0.39 m
	0.75 m	1,816 lx	0.58 m
	1.00 m	1,022 lx	0.78 m

Coordinates and tolerances according to CIE 1964

CIE coordinates

Daylight white 6,500 K

	x0	y0
Centre	0.3200	0.3270



MacAdam Ellipse: 5SDCM

