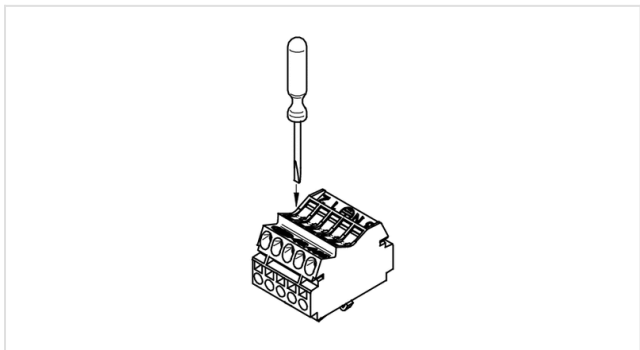
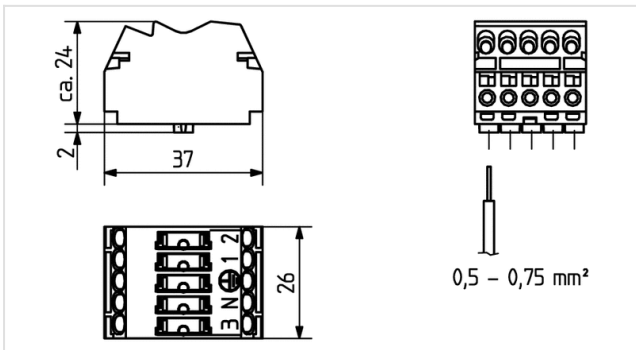




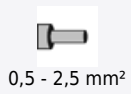
Technik für Licht
Komponenten · Optik · Automation

46.455.4001

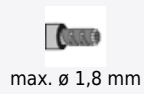
Terminal blocks and Connectors
Pushwire terminals 5 pole (Rast 5)



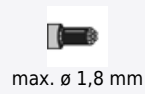
Color: weiß
FC: 50
Part no.: 46.455.4001.50



16 A
450 V



T 85
-40°C



Description

- Additional wire 1 x 0.5 - 0.75 mm² per pole can be inserted from below
- - Release button on the inside for the upper connections (see drawing)
- - Release options for bottom connections (Wire release by twist and pull)

Short description:	5-pole double decker
Product name:	Terminal block (Rast 5)
Farbe:	white
Mounting method 1:	For recessed embodiment
Material:	Housing: PC
Marking:	3 N □ 1 2
Weight:	17
Quantity of poles:	5
Pkg.:	250