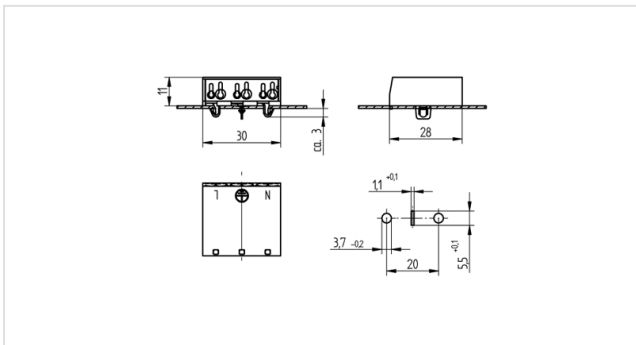




Technik für Licht
Komponenten · Optik · Automation

46.433.1115

Terminal blocks and Connectors
Flat Connect 3 pole



Color:

weiß

Part no.:

46.433.1115.50

16 A
450 V



max. ø 1,8 mm



T 85
-40°C



max. ø 1,8 mm



0,5 - 1,0



Description

- Insulating length: 0.5 - 1.0 mm²: 8 + 1 mm / 1.5 - 2.5 mm²: 12 + 1 mm
- Wires external side: 2 x 0.5 - 2.5 mm²
- Wires internal side: 1 x 0.5 - 1.0 mm² / 1 x 0.5 - 2.5 mm²
- Other markings on request

Product name:	Terminal Block FlatConnect
Farbe:	white
Mounting method 1:	Push through mount
Material:	Housing: PC
Marking:	N □ L
Weight:	9
Quantity of poles:	3
Earth contact:	Rapid Earth Contact
Contact opening:	Wire release function from front side
Material thickness:	0.5 - 1.0
Pkg.:	500