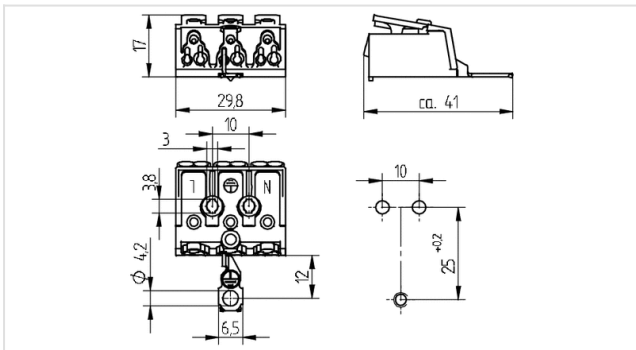




Technik für Licht
Komponenten · Optik · Automation

46.413.1214

Terminal blocks and Connectors
Pushwire terminals 3 pole



Color: weiß
FC: 50
Part no.: 46.413.1214.50

16 A
450 V



max. ø 1,8 mm



T 85
-40°C



max. ø 1,8 mm



Description

- - Internal wiring: only for solid conductors and 7 stranded wire ends
-
-

Product name:	Terminal block 3 poles
Farbe:	white
Mounting method 1:	Screw mount
Material:	Housing: PC
Marking:	N □ L
Weight:	9
Quantity of poles:	3
Earth contact:	Earth bracket
Contact opening:	With integral cable release
Pkg.:	500