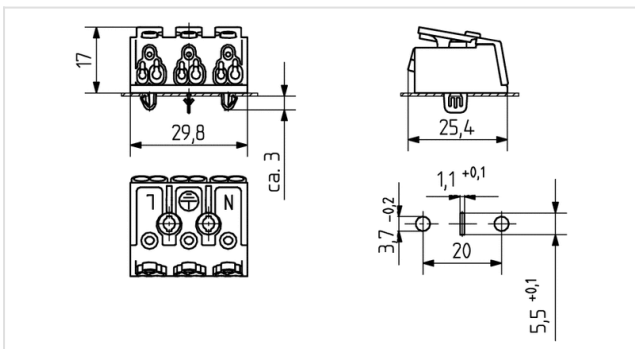




Technik für Licht
Komponenten · Optik · Automation

46.413.1115

Terminal blocks and Connectors
Pushwire terminals 3 pole



Color: weiß
FC: 50
Part no.: 46.413.1115.50

16 A
450 V



max. ø 1,8 mm



T 85
-40°C



max. ø 1,8 mm



0,5 - 1,0



Description

- - Internal wiring: only for solid conductors and 7 stranded wire ends

| | |
|----------------------------|-----------------------------|
| Product name: | Terminal block 3 poles |
| Color: | white |
| Mounting method 1: | Push through mount |
| Material: | Housing: PC |
| Marking: | N □ L |
| Weight: | 8 |
| Quantity of poles: | 3 |
| Earth contact: | Rapid Earth Contact |
| Contact opening: | With integral cable release |
| Material thickness: | 0.5 - 1.0 |
| Pkg.: | 500 |