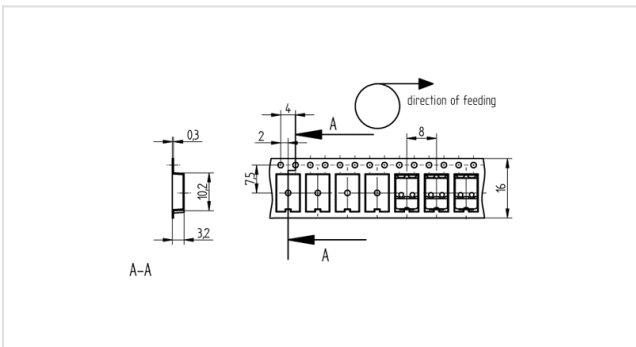
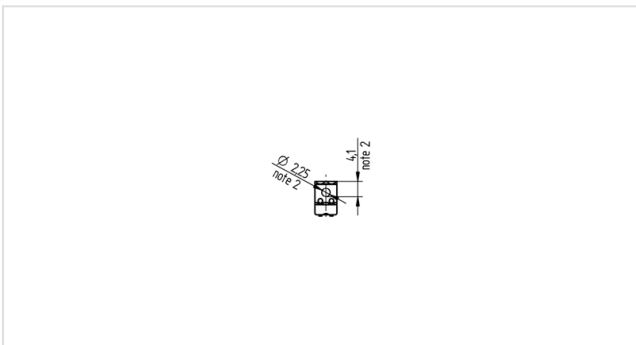
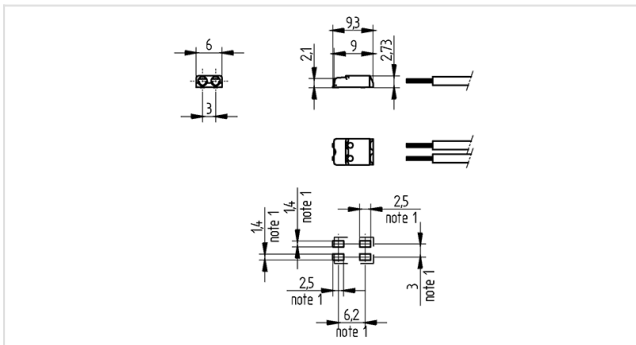




46.142.1001

SMD Terminal blocks

46.141/46.142: Nano with wire release function and accessories



Part no.:

46.142.1001.50



7.0 +/- 0.5 mm



0,20-0,50 mm² AWG 24-20



Description

- Note 1: Recommended dimensions for solder mask - Recommended thickness of solder 0.15 mm
-
- Note 2: Recommended Pick and Place area
-
- General note: It is recommended to make an electrical connection between both poles of each polarity on the solder mask
-
- It is recommended to use our wire release tool 46.141.U801.89
- Other packaging units on request
-

Stripped length:	7.0 +/- 0.5 mm
Product name:	SMD Terminal block Nano with wire release function 2 pole
Mounting method 1:	Solder fixing
Material:	Housing: PPA Contacts: Cu alloy
cULus file no.:	E-365006
ENEC Rating:	3A / 320V
Weight:	0,2
Quantity of poles:	2
Approval:	IEC 60947-1, additional cURus
Pkg.:	50400