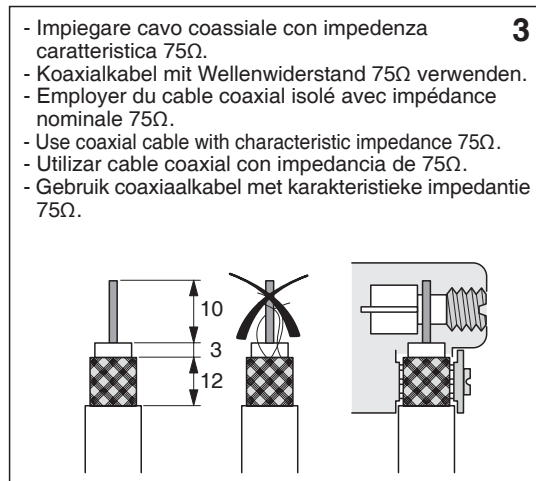
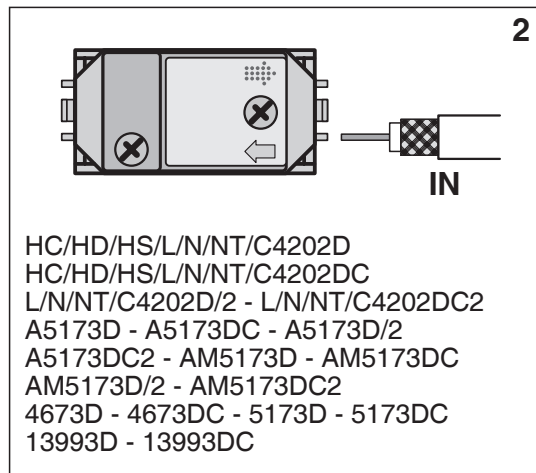
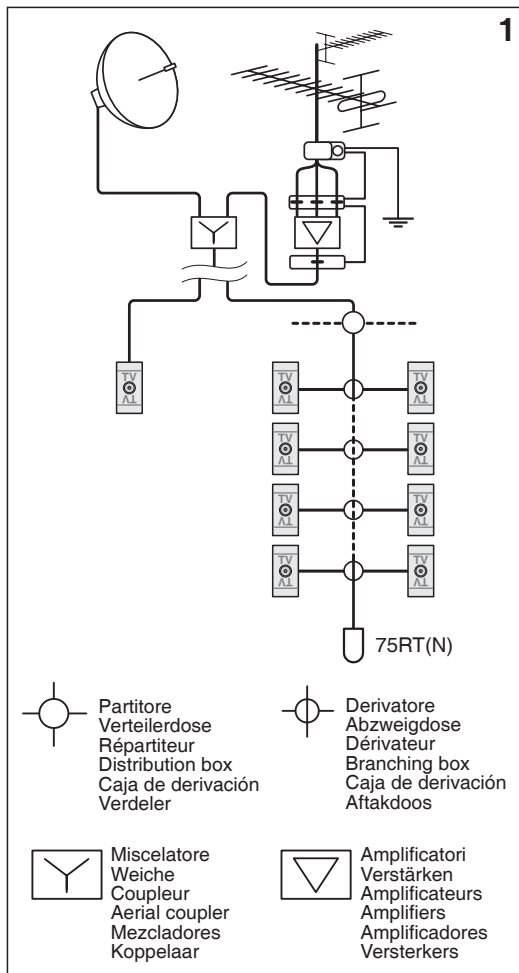


PART. E3160F

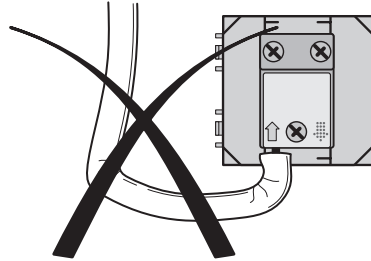
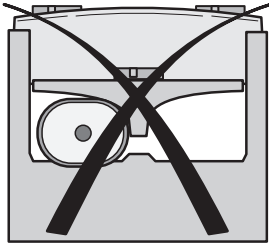
HC/HD/HS/L/N/NT/C4202D  
 HC/HD/HS/L/N/NT/C4202DC  
 L/N/NT/C4202D/2  
 L/N/NT/C4202DC2  
 A5173D  
 A5173DC  
 A5173D/2  
 A5173DC2  
 AM5173D  
 AM5173DC  
 AM5173D/2  
 AM5173DC2  
 4673D  
 4673DC  
 5173D  
 5173DC  
 13993D  
 13993DC

Istruzioni d'uso  
 Gebrauchsanweisungen  
 Notice d'emploi  
 Instruction sheet  
 Instrucciones de uso  
 Gebruiksaanwijzing

04/11 - 01 - SL


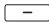

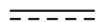


- Evitare curvature a raggio troppo piccolo e schiacciamenti del cavo coassiale.
- Biegeradien zu kleine un Pressungen des Koaxialkabels vermeiden.
- Eviter des rayons de courbure trop petits et la compression du cable coaxial.
- Avoid small bending radius and compression of the coaxial cable.
- Evitar curvaturas de radio demasiado pequeño y aplastamento del cable coaxial.
- Vermijd sterke buiging van de coaxiaalkabel, om hem niet te pletten



**Ad=** Attenuazione diretta o di derivazione  
 Anschlußdämpfung  
 Atténuation de dérivation  
 Side loss  
 Atenuación directa o de derivación  
 Aftakdemping

**Zo=** Impedenza caratteristica  
 Wellenwiderstand  
 Impedance nominale  
 Nominal impedance  
 Impedancia  
 Nominale impedantie

	Ad	Zo			B1	FM	VHF	UHF	SAT IF
				22 / 0,6	40-68	87,5-108	120-470	470-862	950-2150-2400
	dB	Ω	V/mA	kHz / V	MHz	MHz	MHz	MHz	MHz
HC/HD/HS/L/N/NT/C4202D - L/N/NT4202D/2 A5173D - A5173D/2 - AM5173D AM5173D/2 - 4673D - 5173D - 13993D	<1	75	≤500						
HC/HD/HS/L/N/NT/C4202DC - L/N/NT/C4202DC2 A5173DC - A5173DC2 - AM5173DC AM5173DC2 - 4673DC - 5173DC - 13993DC	<1,5								

