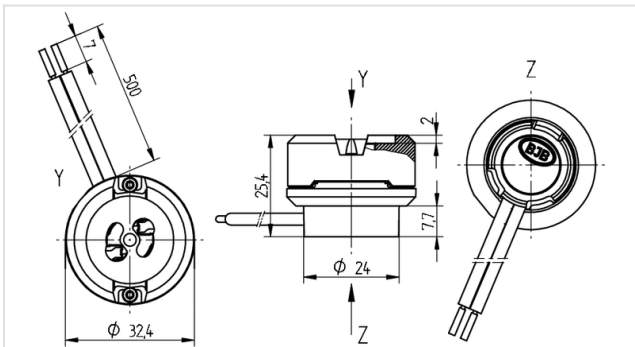




25.836.1001

HID Lampholders
GX8.5



FC: 00
Part no.: 25.836.1001.00



2 A
250 V

T250

Description

- Safe lamp contact by approved Twist and Lock action
- Continuous operating temperature: T250 - for the contacts 210° C - for the cover plate
- Suitable for light fittings of protection class II in accordance with EN 60598-1 2008.

Symbol Zündspannung:	5kV pulse rated
Product name:	Connector GX8.5
LED type:	GX8.5
Material:	Connector: Ceramic/PPS Cover plate: PET
Weight:	38
Wires:	With 2 ignition cables inserted, Cu, nickel plated, 1.0 mm ² , with ferrule, Insulation: PTFE (max. 250° C), ø 3.0± 0.3 mm, Lead length: 500 mm (19")
Pkg.:	100