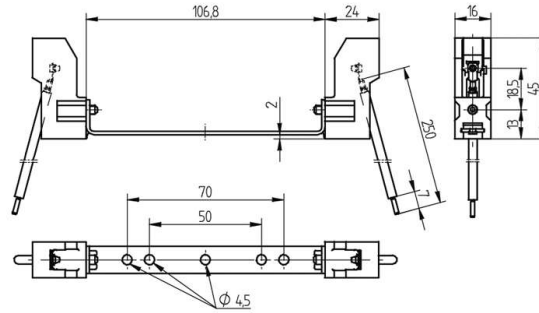


 Create pdf

## Lampholders for discharge lamps

25.808.4117

RX7s



pkg.	wt.	part no.
125	76 g	25.808.4117.00

Wires: Cu, tin plated, 1.0 mm<sup>2</sup>, with ferrule,  
Insulation: Silicone (max. 180° C), ø 4.2 mm  
(ignition cable), Free cable length: 250 mm

For Metal Halide lamps

Screw fixing

Housing: Ceramic

Contacts: Cu with brazed silver cap

- Lamp contact distance 132 mm

T 300

6 A  
1000 V

Document generated on: Fr, 10. February 2017 - 13:26