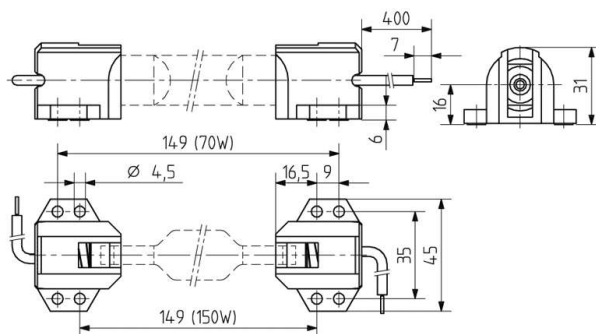


 Create pdf

## Lampholders for discharge lamps

25.806.3700

RX7s



pkg.	wt.	part no.
36	59 g	25.806.3700.00

Wires: Cu, tin plated, 1.0 mm<sup>2</sup>, with ferrule,  
 Insulation: Silicone (max. 180° C), ø 4.2 mm  
 (ignition cable), Free cable length: 400 mm


For Metal Halide lamps

Screw fixing

Housing: Ceramic / PPS

Contacts: CuZn, silver-plated

- Suitable for light fittings of protection class II in accordance with EN 60598-1 2008

T250	10 A 750 V	 5 kW/pulse
------	---------------	---

Document generated on: Th, 9. February 2017 - 17:26