
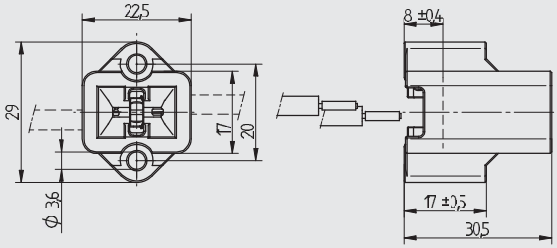


Lampholders for discharge lamps

**25.722 25.724
25.725**

G8.5




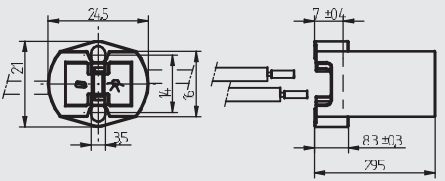



pkg. wt. part no.
216 24 g **25.722.2000.00**

Screw fixing
Housing: Ceramic
Connection: Push wire contacts

- Fixing centres: 17 mm
- For screws: 3 mm
- Wires permanently joined after insertion
- The correct function is obtained by screw fixing
- Suitable for light fittings of protection class II in accordance with EN 60598-1 2008.

T 300			1 A 250 V	5 kV/pulse	CAD	i	[04] 3...
-------	--	--	--------------	------------	-----	---	-----------


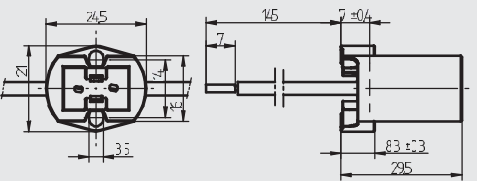



pkg. wt. part no.
216 20 g **25.724.1100.00**

Screw fixing
Housing: Ceramic
Connection: Push wire contacts

- Fixing centres: 14 mm
- For screws: 3 mm
- Wires permanently joined after insertion
- Maximum permissible diameter of insulation 4.2 mm

T 300			1 A 250 V	5 kV/pulse	CAD	i	[04] 3...
-------	--	--	--------------	------------	-----	---	-----------

pkg. wt. part no.
108 24 g **25.725.2101.00**

Screw fixing
Housing: Ceramic

Wires: With 2 ignition cables, Cu, nickel plated, 0.75 mm², with ferrule, Insulation: Silicone (max. 180° C), Free cable length: 145 mm

- Fixing centres: 14 mm
- For screws: 3 mm
- Other versions on request

T 350			10 A 250 V	5 kV/pulse	CAD	i	[04] 3...
-------	--	--	---------------	------------	-----	---	-----------