



LENS | 0200-2 LINEAR

## LENS | O200-2 LINEAR



### PRODUCT DESCRIPTION

- Linear lens for PROFILE Z200-2, Z201-2 und Z22W-2
- For use exclusively with LED modules
- No tools required for installing
- Beam angle 15° (frosted only), 30°, 60°, 90°
- Uniform distribution of light
- Material: PMMA

### TECHNICAL DATA

Length	2,000 <sup>®</sup> mm
Coefficient of linear expansion	85 * 10 <sup>-6</sup> / K
Operating temperature	-30 ... +80 °C
Storage temperature ts	-30 ... +80 °C
<sup>®</sup> Tolerance lenght:	- 0 mm / + 20 mm

RoHS

### ORDERING DATA – LENS | O200-2 LINEAR

Colour	TMR	Height	Weight	Type	Length	Art. Nr.
Transparent	88 %	9.7 mm	0.18 kg	LED O200-2 LINEAR LENS 30° clear	2 m	24166408
Transparent	90 %	9.5 mm	0.20 kg	LED O200-2 LINEAR LENS 60° clear	2 m	24166406
Transparent	92 %	8.0 mm	0.17 kg	LED O200-2 LINEAR LENS 90° clear	2 m	24166407
Semi-transparent	82 %	11.4 mm	0.18 kg	LED O200-2 LINEAR LENS NB15° frosted	2 m	24166405
Semi-transparent	85 %	9.7 mm	0.18 kg	LED O200-2 LINEAR LENS 30° frosted	2 m	24166409
Semi-transparent	89 %	9.5 mm	0.20 kg	LED O200-2 LINEAR LENS 60° frosted	2 m	24166410
Semi-transparent	90 %	8.0 mm	0.17 kg	LED O200-2 LINEAR LENS 90° frosted	2 m	24166411

Packaging: 5 pieces/carton, 125 pieces/pallet

### STANDARDS

- EN 60598-1

The lens passed the heat filament test with 650°C as required in EN 60598-1

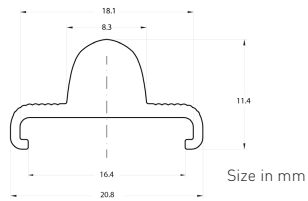
### Mounting notes

- The lens has to be slided on the profile.
- To avoid sliding off the profile, the lens has to be fixed by end caps (e.g. Art.-nr. 24139173, 24139174 for Z22W-2).

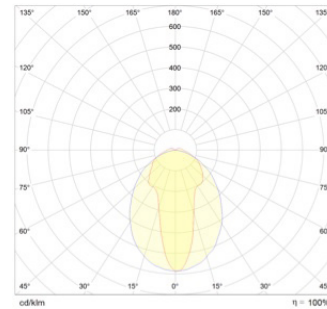
## LENS | O200-2 LINEAR

### PROPERTIES

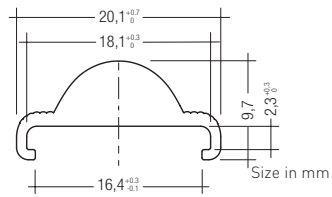
Linear lens 15°



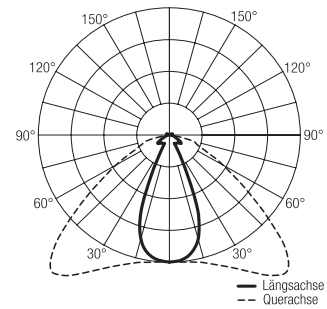
Light distribution 15°



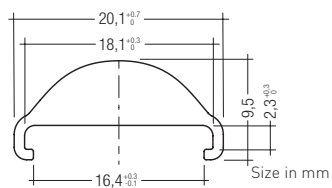
Linear lens 30°



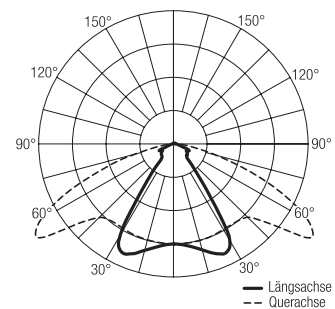
Light distribution 30°



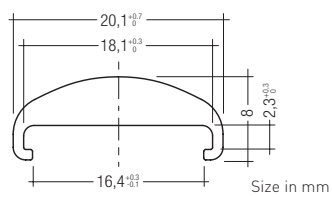
Linear lens 60°



Light distribution 60°



Linear lens 90°



Light distribution 90°

