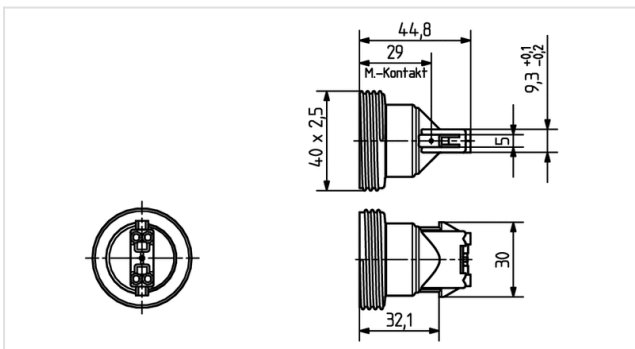




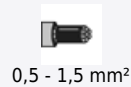
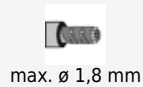
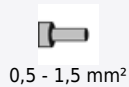
Technik für Licht
Komponenten · Optik · Automation

22.328.3901

Incandescent Lampholders
E27 Molded Lampholders



Color: weiß
FC: 50
Part no.: 22.328.3901.50



Description

Product name:	Lampholder E27
LED type:	E27
Color:	white
Mounting method 1:	Snap in fixing
Material:	Housing: PET
Weight:	10
Pkg.:	250