

fd dmx 3-48e 500

500mA RGB DMX LED dimmer

Digital RGB LED dimmer with three 500mA constant current outputs for smooth control, especially in lower dimming range.



Properties

- Robust constant current dimmer for LED modules without own current limiter
- Protected against short-circuit and overtemperature
- Smooth dimming control even in the lowest range
- Dimming curve matched to eye sensitivity
- Digital control with DMX control devices
- Start channel easily adjustable via rotary switch
- Plastic housing construction with cable grip

Ordering Information

Product name fd dmx 3-48e 500

Item number 0000 4361

Available Versions



fd dmx 3-48e 350



fd dmx 3-48e 700



fd dmx 3-48e 1000

Combinable with the following feno products



fc s.dmx 48u

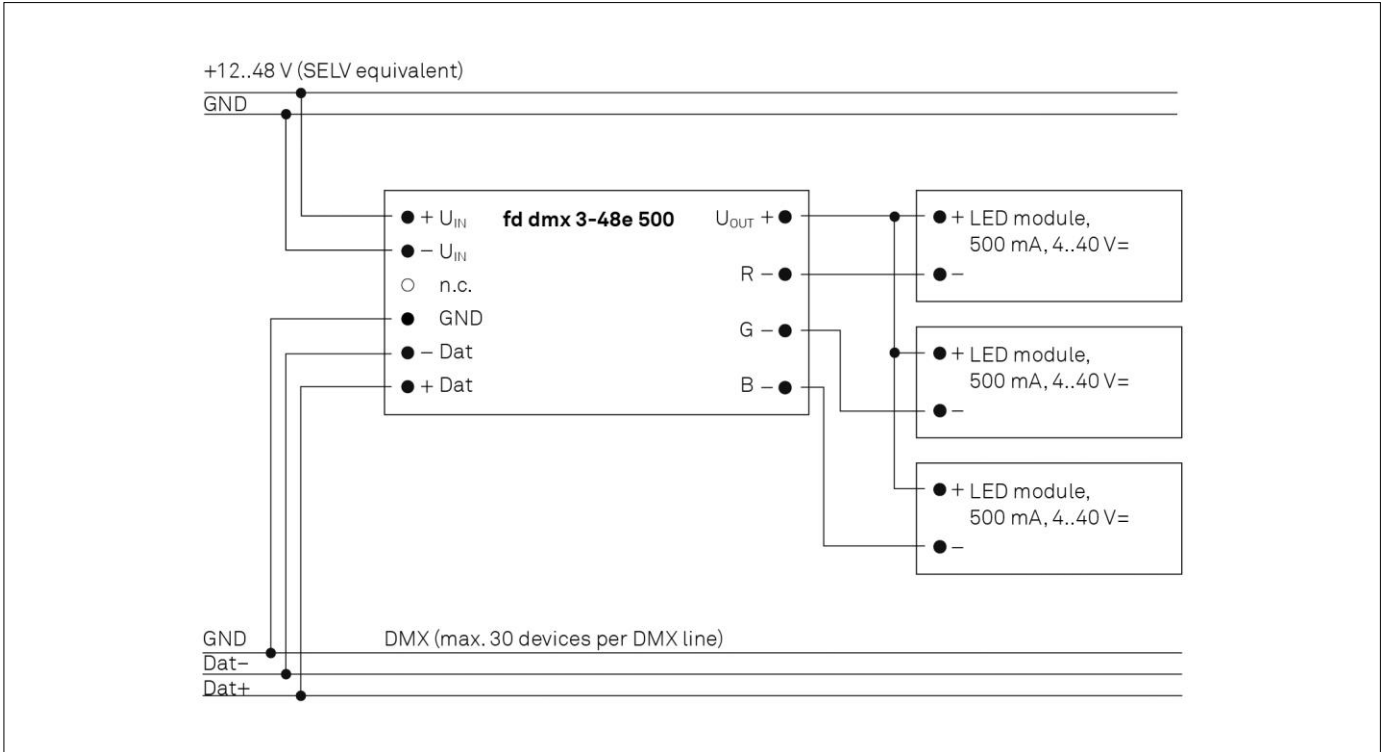


fe spot 1630 w

fd dmx 3-48e 500

500mA RGB DMX LED dimmer

Wiring Diagram



Technical Details

Supply voltage	12..48 V DC (SELV)
Power consumption	1,7 A max.
Control inputs	1
Control signal	DMX
Operating mode	Constant current
Outputs	3
Dimming frequency / internal	240 Hz/16 Bit
Output voltage	4..40 V DC
Output load	3 x 500 mA
Outputs short circuit proof	yes
Ambient temperature	-20..45 °C
Dimensions (L/W/H)	167 x 42 x 31 mm
Weight	90 g

Additional Information

- The output voltage must be between 33 and 85% of the supply voltage
- Other current values are possible on request

Standards

EN 61347-1
 EN 61347-2-11
 EN 61347-2-13
 EN 55015
 EN 61547
 EN 61000-3-2
 EN 61000-3-3