

fd dmx 4-24 350 n 350mA RGBW DMX LED dimmer

Digital RGB LED dimmer with four 350mA constant current outputs for smooth control, especially in lower dimming range.



Properties

- Robust constant current dimmer for LED modules without own current limiter
- Protected against short-circuit and overtemperature
- Smooth dimming control even in the lowest range
- Dimming curve matched to eye sensitivity
- Digital control with DMX control devices
- Start channel easily adjustable via rotary switch
- PCB construction for integration in lighting systems
- Emergency lighting function (100% on DMX signal failure)

Combinable with the following feno products



fc s.dmx 48u



fe spot 1630 w

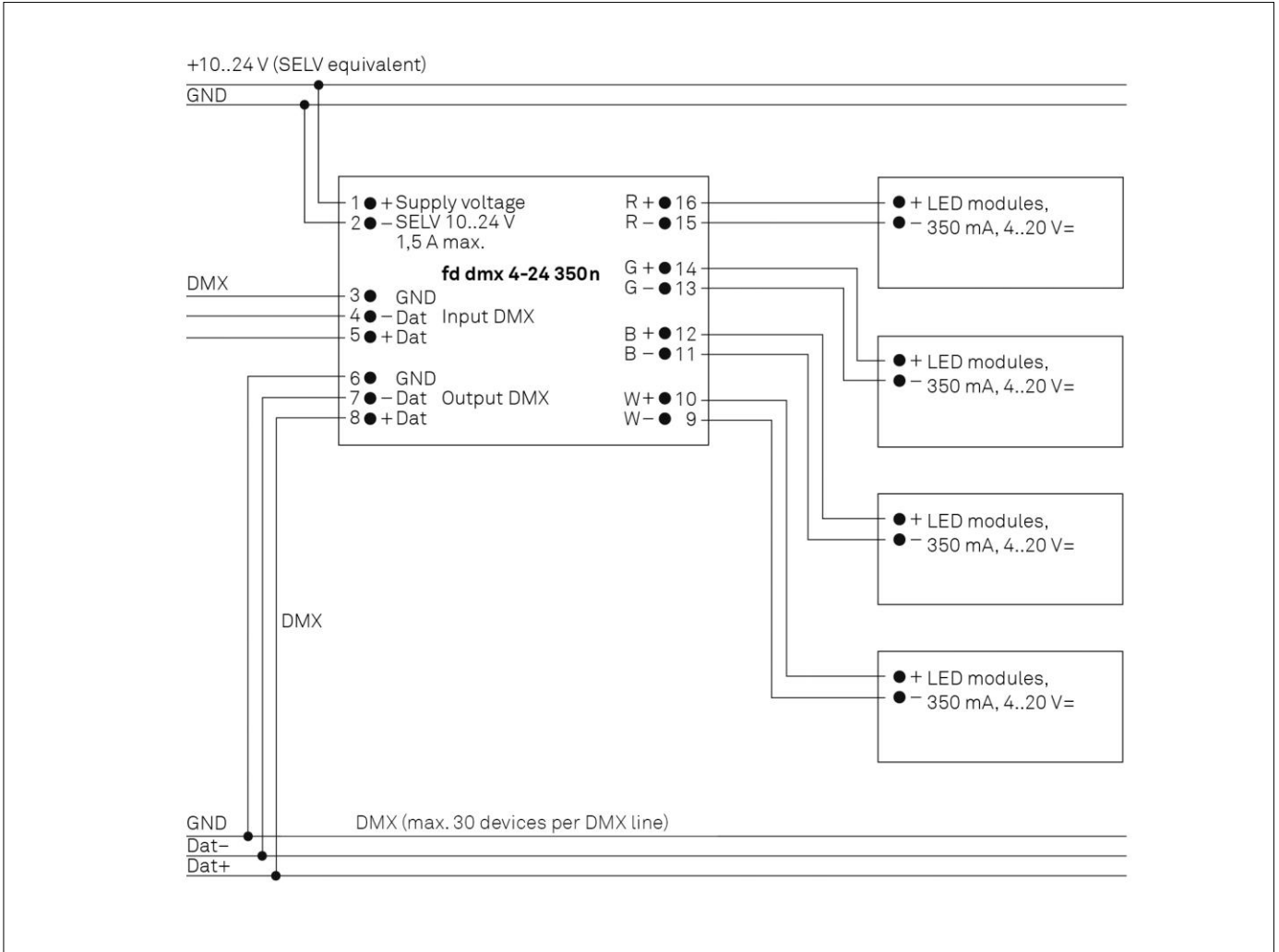
Ordering Information

| | |
|---------------------|--------------------------|
| Product name | fd dmx 4-24 350 n |
| Item number | 0000 4317 |

fd dmx 4-24 350 n

350mA RGBW DMX LED dimmer

Wiring Diagram



Technical Details

| | |
|------------------------------|--------------------|
| Supply voltage | 10..24 V DC (SELV) |
| Power consumption | 1,5 A max. |
| Control inputs | 1 |
| Control signal | DMX |
| Operating mode | Constant current |
| Outputs | 4 |
| Dimming frequency / internal | 240 Hz/16 Bit |
| Output voltage | 4..20 V DC |
| Output load | 4 x 350 mA |
| Outputs short circuit proof | yes |
| Ambient temperature | -20..45 °C |
| Dimensions (L/W/H) | 145 x 30 x 15 mm |
| Weight | 50 g |

Additional Information

- The output voltage must be between 33 and 85% of the supply voltage

Standards

EN 61347-1
 EN 61347-2-11
 EN 61347-2-13
 EN 55015
 EN 61547
 EN 61000-3-2
 EN 61000-3-3