

## fd dmx 3-48e 700

700mA RGB DMX LED dimmer

Digital RGB LED dimmer with three 700mA constant current outputs for smooth control, especially in lower dimming range.



### Properties

- Robust constant current dimmer for LED modules without own current limiter
- Protected against short-circuit and overtemperature
- Smooth dimming control even in the lowest range
- Dimming curve matched to eye sensitivity
- Digital control with DMX control devices
- Start channel easily adjustable via rotary switch
- Plastic housing construction with cable grip

### Ordering Information

Product name	<b>fd dmx 3-48e 700</b>
Item number	0000 4296

### Available Versions



fd dmx 3-48e 350



fd dmx 3-48e 500



fd dmx 3-48e 1000

### Combinable with the following feno products

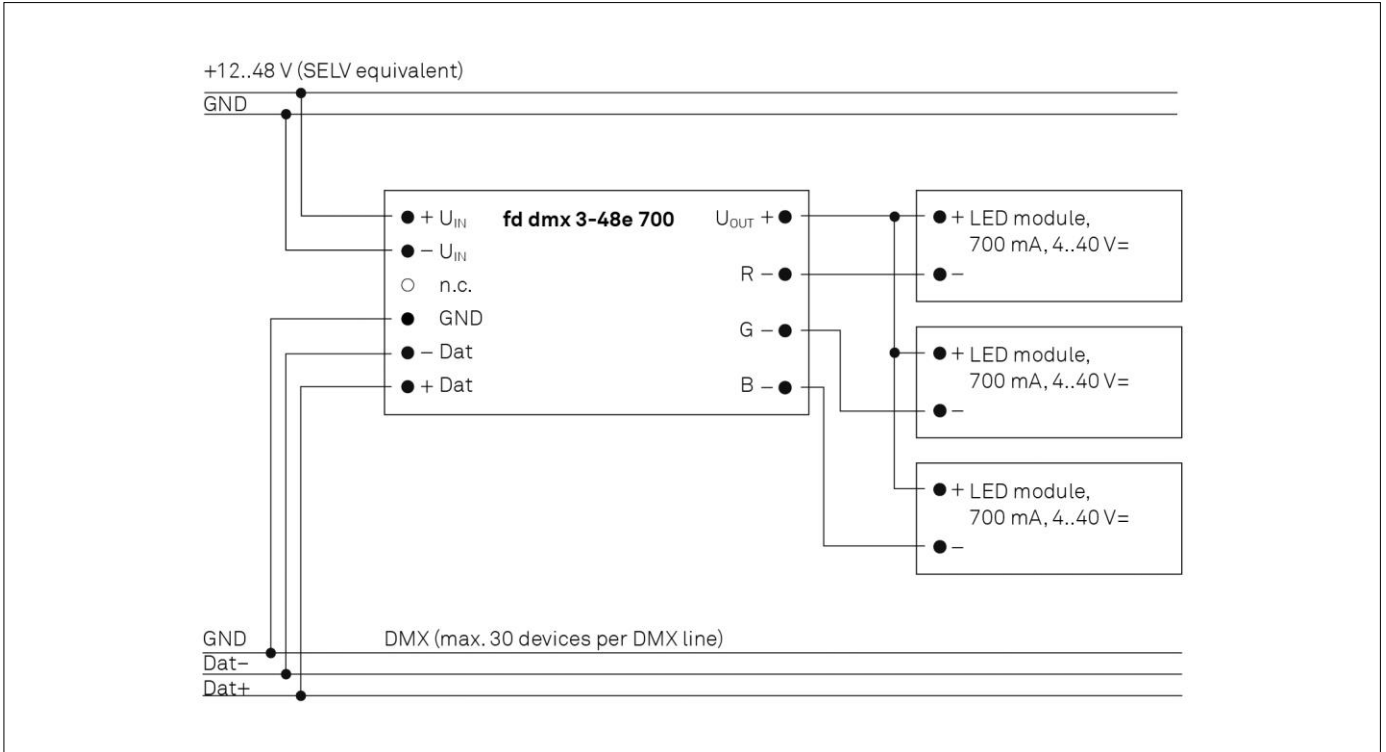


fc s.dmx 48u

## fd dmx 3-48e 700

700mA RGB DMX LED dimmer

### Wiring Diagram



### Technical Details

Supply voltage	12..48 V DC (SELV)
Power consumption	2,5 A max.
Control inputs	1
Control signal	DMX
Operating mode	Constant current
Outputs	3
Dimming frequency / internal	240 Hz/16 Bit
Output voltage	4..40 V DC
Output load	3 x 700 mA
Outputs short circuit proof	yes
Ambient temperature	-20..45 °C
Dimensions (L/W/H)	167 x 42 x 31 mm
Weight	90 g

### Additional Information

- The output voltage must be between 33 and 85% of the supply voltage
- Other current values are possible on request

### Standards

EN 61347-1  
 EN 61347-2-11  
 EN 61347-2-13  
 EN 55015  
 EN 61547  
 EN 61000-3-2  
 EN 61000-3-3