

fd touch 1-48e

Touch LED dimmer

Digital LED dimmer with a 9A constant voltage output for smooth control, especially in lower dimming range.



Properties

- Robust constant voltage dimmer with high current capacity
- Protected against short-circuit and overtemperature
- Smooth dimming control even in the lowest range
- Dimming curve matched to eye sensitivity
- Plastic housing construction with cable grip
- Touch-Dim function via pushbutton
- Galvanic isolation

Ordering Information

Product name	fd touch 1-48e
Item number	0000 4221

Available Versions



fd dali 1-48e



fd dmx 1-48e

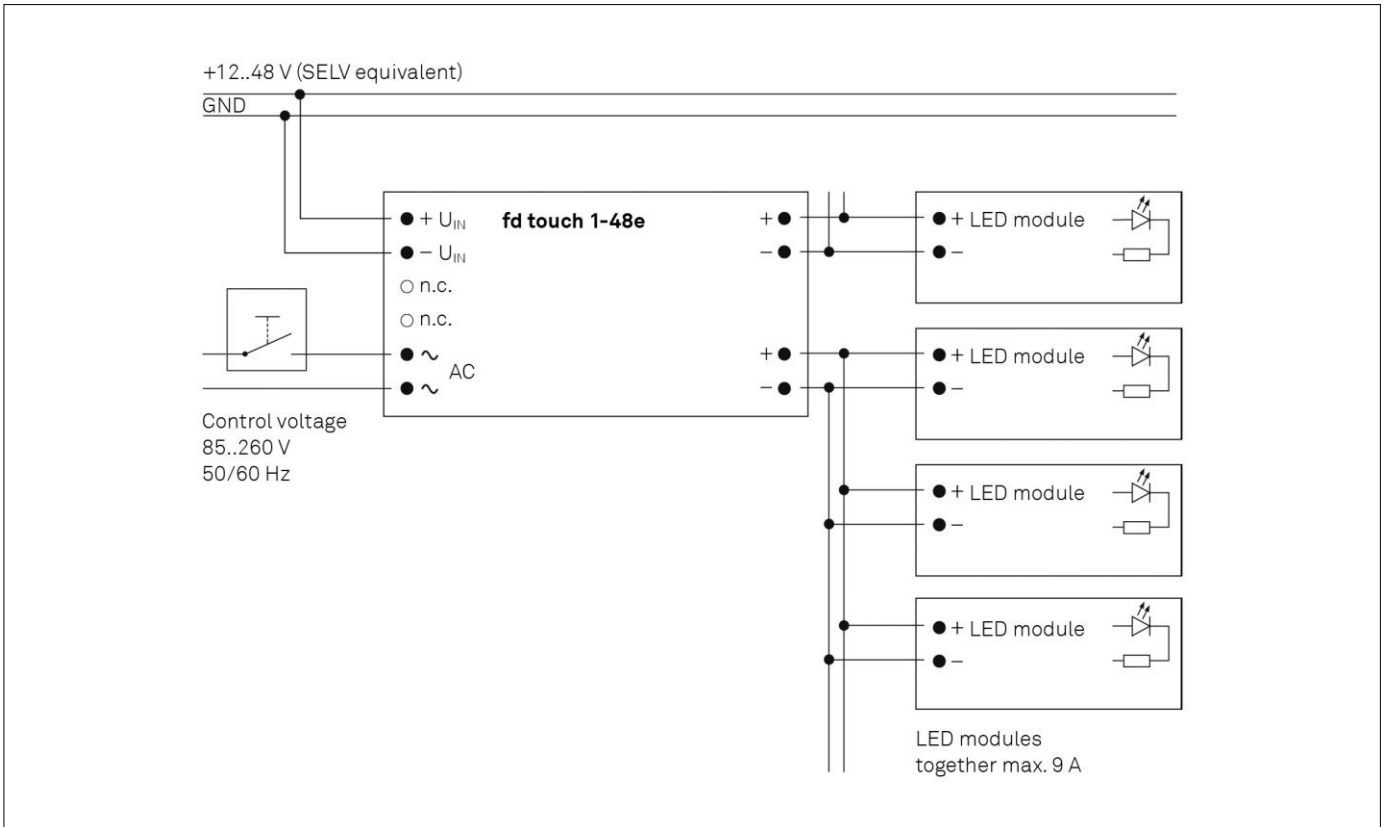


fd analog 1-48e

fd touch 1-48e

Touch LED dimmer

Wiring Diagram



Technical Details

Supply voltage	12..48 V DC (SELV)
Power consumption	9 A max.
Control inputs	1
Control signal	Pushbutton signal (Touch)
Operating mode	Constant voltage
Outputs	1
Dimming frequency / internal	240 Hz/16 Bit
Output load	1 x 9 A
Galvanic isolation	yes
Outputs short circuit proof	yes
Ambient temperature	-20..45 °C
Dimensions (L/W/H)	167 x 42 x 31 mm
Weight	90 g

Standards

EN 61347-1
 EN 61347-2-11
 EN 61347-2-13
 EN 55015
 EN 61547
 EN 61000-3-2
 EN 61000-3-3