

## fd dmx 4-48

### RGBW DMX LED dimmer

Digital RGBW LED dimmer with four 2A-constant voltage outputs for smooth control, especially in lower dimming range.



#### Properties

- Robust constant voltage dimmer with high current capacity
- Protected against short-circuit and overtemperature
- Smooth dimming control even in the lowest range
- Dimming curve matched to eye sensitivity
- Digital control with DMX control devices
- Start channel easily adjustable via rotary switch
- PCB construction for integration in lighting systems

#### Ordering Information

Product name	fd dmx 4-48
Item number	0000 4498

#### Combinable with the following feno products



fc s.dmx 48d



fc s.dmx 144d

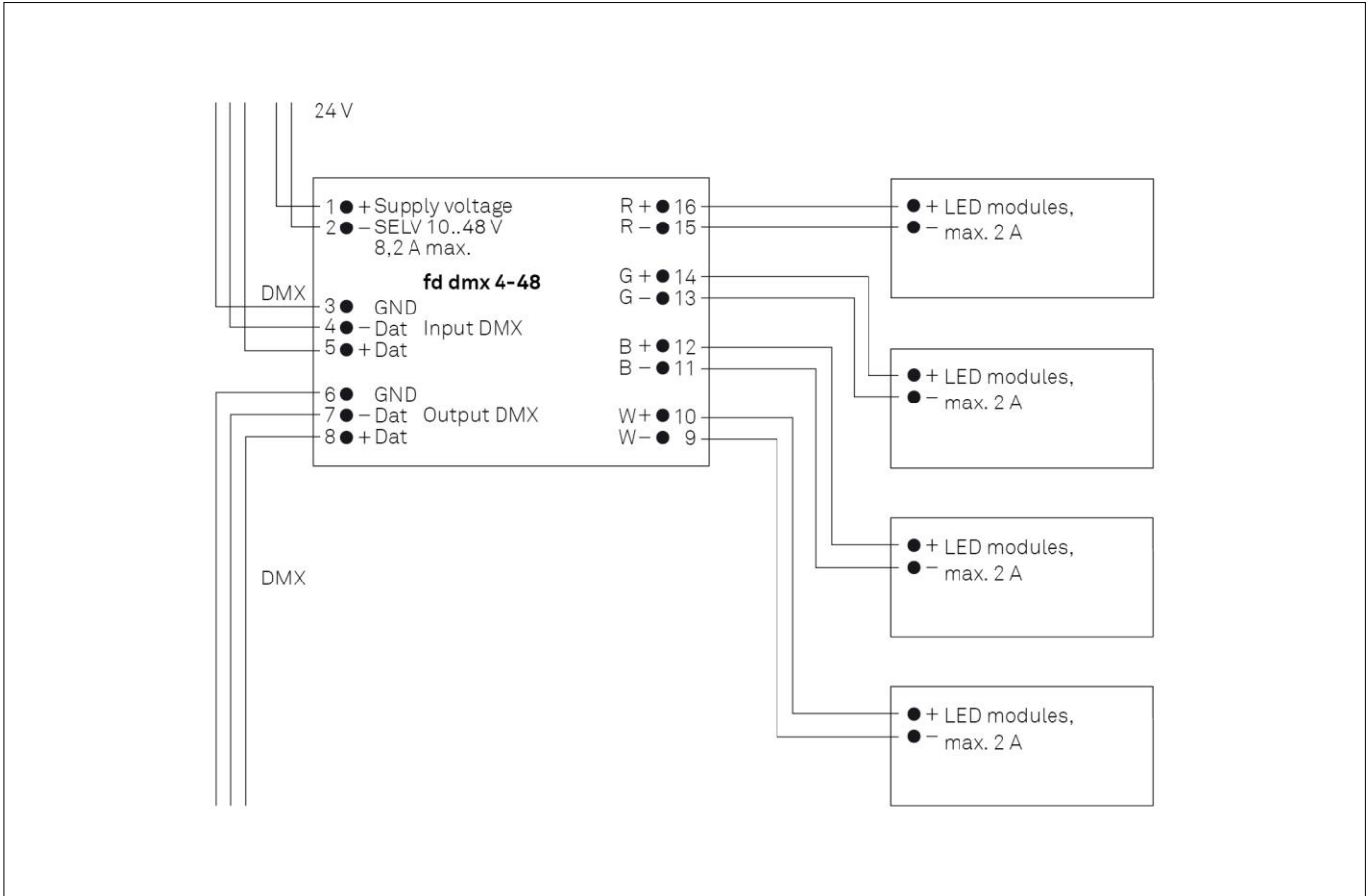


fc dmx 512u

## fd dmx 4-48

RGBW DMX LED dimmer

### Wiring Diagram



### Technical Details

Supply voltage	10..48 V DC (SELV)
Power consumption	8,2 A max.
Control inputs	1
Control signal	DMX
Operating mode	Constant voltage
Outputs	4
Dimming frequency / internal	240 Hz/16 bit
Output voltage	10..48 V DC
Output load	4 x 2 A
Outputs short circuit proof	yes
Ambient temperature	-20..45 °C
Dimensions (L/W/H)	145 x 30 x 15 mm
Weight	50 g

### Additional Information

- Simple assembling due to premounted self-adhesive thermoconductive tape

### Standards

- EN 61347-1
- EN 61347-2-11
- EN 61347-2-13
- EN 55015
- EN 61547
- EN 61000-3-2
- EN 61000-3-3