

fd dali 3-24e

RGB DALI LED dimmer

Digital RGB LED dimmer with three 2A constant voltage outputs for smooth control, especially in lower dimming range.



Properties

- Robust constant voltage dimmer with high current capacity
- Protected against short-circuit and overtemperature
- Smooth dimming control even in the lowest range
- Dimming curve matched to eye sensitivity
- Digital control with DALI control devices
- Plastic housing construction with cable grip

Ordering Information

Product name	fd dali 3-24e
Item number	0000 4027

Available Versions

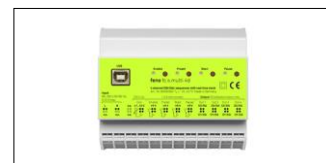


fd multi 1-24e

Combinable with the following feno products



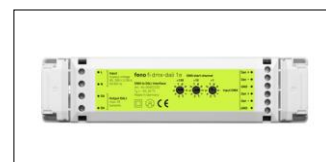
fd booster 3-24e



fc s.multi 4d



fi dmx-dsi 1e

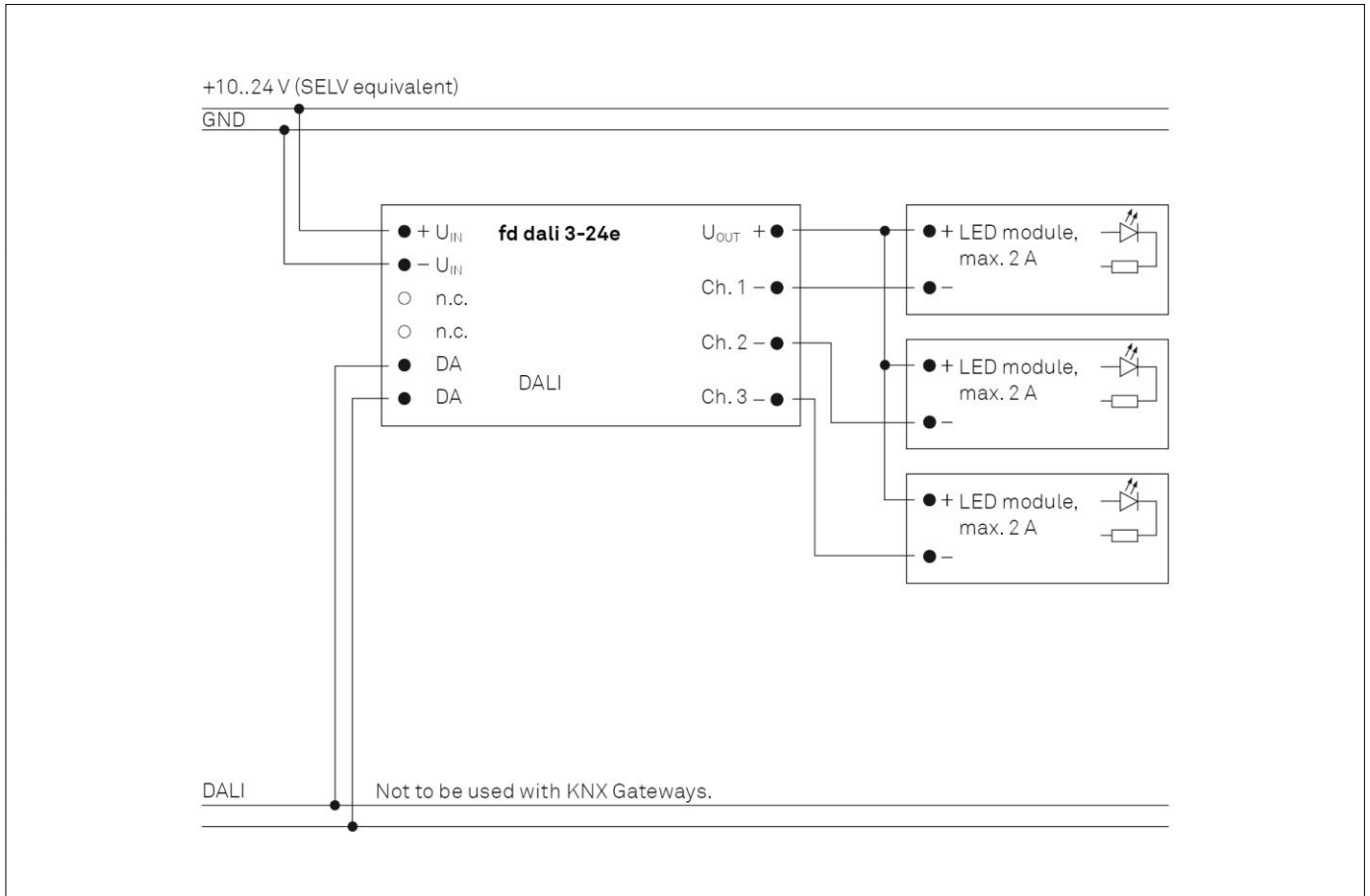


fi dmx-dali 1e

fd dali 3-24e

RGB DALI LED dimmer

Wiring Diagram



Technical Details

Supply voltage	10..24 V DC (SELV)
Power consumption	6,2 A max.
Control inputs	1
Control signal	DALI
Operating mode	Constant voltage
Outputs	3
Dimming frequency / internal	240 Hz/16 Bit
Output voltage	10..24 V DC
Output load	3 x 2 A
Galvanic isolation	yes
Outputs short circuit proof	yes
Ambient temperature	-20..45 °C
Dimensions (L/W/H)	167 x 42 x 31 mm
Weight	90 g

Additional Information

- Not for use in EIB/KNX-Gateways

Standards

EN 61347-1
 EN 61347-2-11
 EN 61347-2-13
 EN 55015
 EN 61547
 EN 61000-3-2
 EN 61000-3-3