

fi dmx-pwm 4d

4 channel DMX to PWM interface

PWM smoothing module with for 1..10V outputs for dimming 1..10V receivers together with signal converter fi dmx-pwm 4d.



Properties

- dims 1..10V receivers smoothly and without flickering.
- passive module without power supply
- plastic housing construction for DIN rail mounting

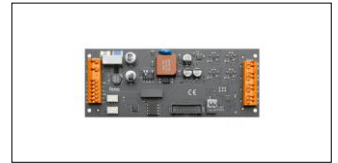
Ordering Information

Product name	fi dmx-pwm 4d
Item number	0000 2315

Available Versions



fi dmx-pwm 1e



fi dmx-pwm 4

Combinable with the following feno products



fi pwm-analog 4d



fc s.dmx 48d



fc s.dmx 144d

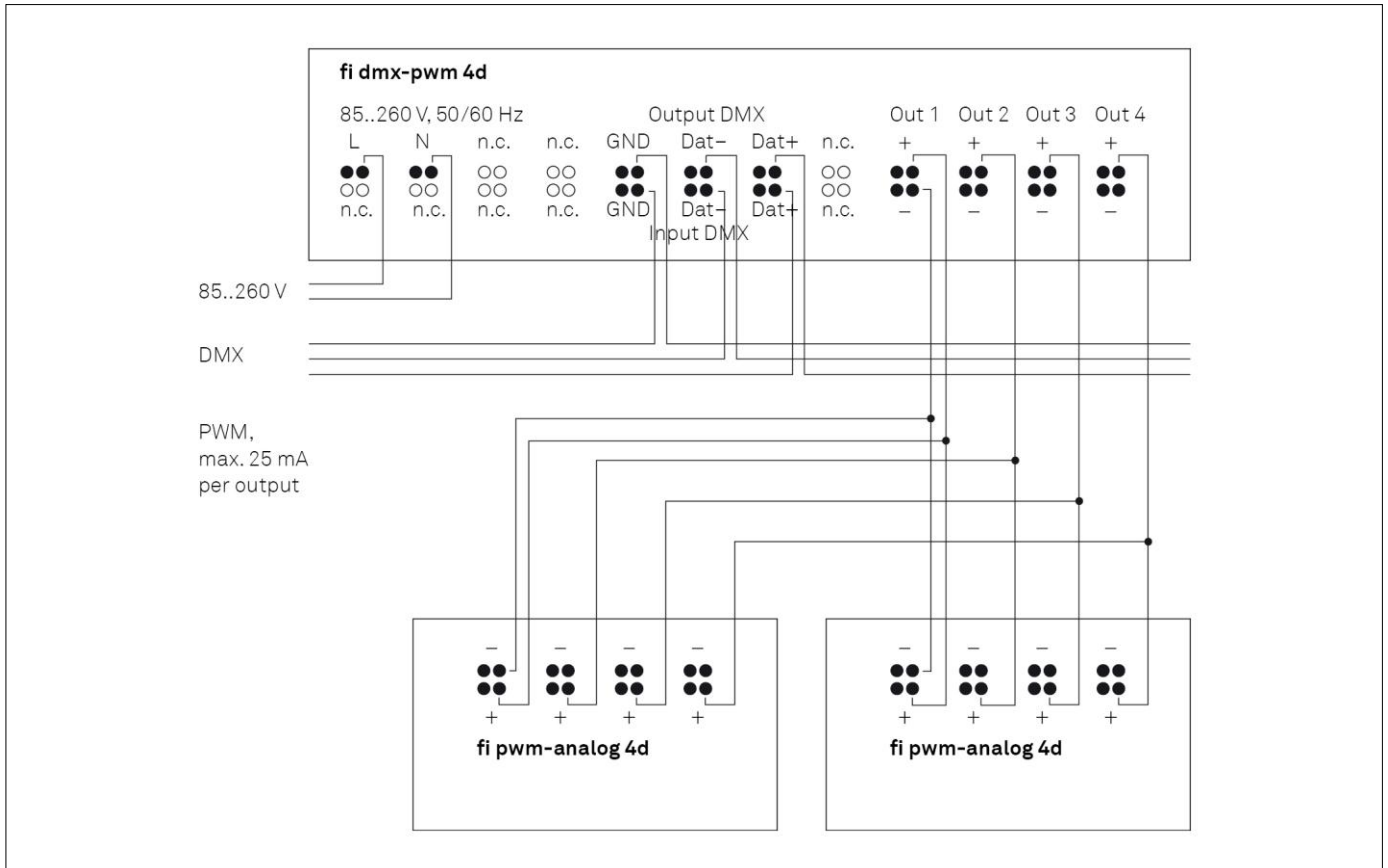


fo dmx 512u

fi dmx-pwm 4d

4 channel DMX to PWM interface

Wiring Diagram



Technical Details

Supply voltage	85..260 V, 50/60 Hz
Power consumption	0,04 A max.
Control inputs	1
Control signal	DMX
Input signal (loop-through)	yes (active amplification)
Outputs	4
Output signal	PWM 12 V/240 Hz
Output load	25 mA per output
Galvanic isolation	yes
Outputs short circuit proof	yes
Ambient temperature	-20..45 °C
Dimensions (L/W/H)	105 x 90 x 60 mm
Weight	250 g

Additional Information

- Smoothing module **fi pwm-analog 4d** needed to run 1..10V receivers flicker-free (can be ordered separately)
- Integrated test function for dimm values 0..100% possible without DMX signal using start channels 900..000 on status display

Standards

EN 61347-1
 EN 61347-2-11
 EN 60950-1
 EN 61547
 EN 55015
 EN 61000-3-2
 EN 61000-3-3