

## fi dmx-pwm 4

4 channel DMX to PWM interface

DMX signal converter with four PWM outputs for safe and simple dimming of 1..10V receivers together with smoothing module fi pwm-analog 4d.



### Properties

- PWM output with short circuit and reverse polarity protection
- safe galvanic separation of DMX (SELV) and DALI outputs to EN 60950
- with patented DMX signal amplifiers for relaying signals during power failure
- low-loss power supply with international input voltage range
- start channel easily adjustable via digital display
- status display for DMX signal and integrated test function
- plastic housing construction for DIN rail mounting

### Ordering Information

<b>Product name</b>	<b>fi dmx-pwm 4</b>
<b>Item number</b>	0000 2194

### Available Versions

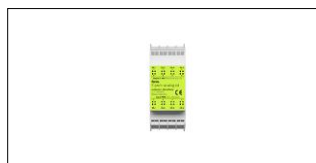


fi dmx-pwm 1e



fi dmx-pwm 4d

### Combinable with the following feno products



fi pwm-analog 4d



fc s.dmx 48d



fc s.dmx 144d

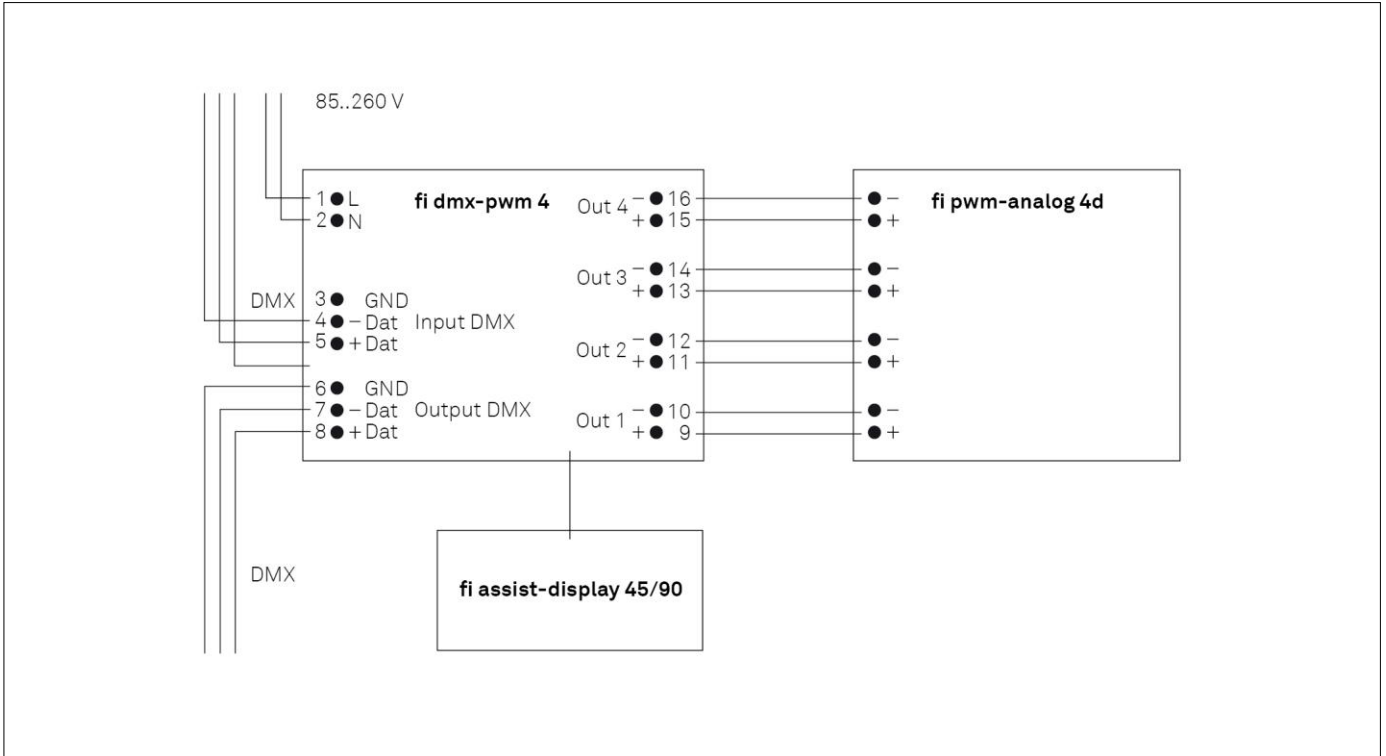


fo dmx 512u

## fi dmx-pwm 4

4 channel DMX to PWM interface

### Wiring Diagram



### Technical Details

Supply voltage	85..260 V, 50/60 Hz
Power consumption	0,04 A max.
Control inputs	1
Control signal	DMX
Input signal (loop-through)	yes (active amplification)
Outputs	4
Output signal	PWM 12 V/240 Hz
Output load	25 mA per output
Galvanic isolation	yes
Outputs short circuit proof	yes
Ambient temperature	-20..45 °C
Dimensions (L/W/H)	159 x 62,5 x 30 mm
Weight	100 g

### Additional Information

- Smoothing module fi pwm-analog 4d needed to run 1..10V receivers flicker-free (can be ordered separately)
- Display unit fi assist display-45 needed for setting the start channel (can be ordered separately)
- Controllable with potentiometer (100k lin.)

### Standards

EN 61347-1  
 EN 61347-2-11  
 EN 60950-1  
 EN 61547  
 EN 55015  
 EN 61000-3-2  
 EN 61000-3-3